

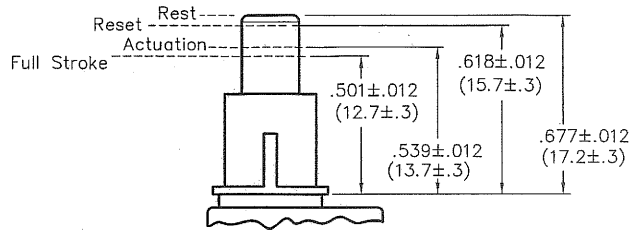
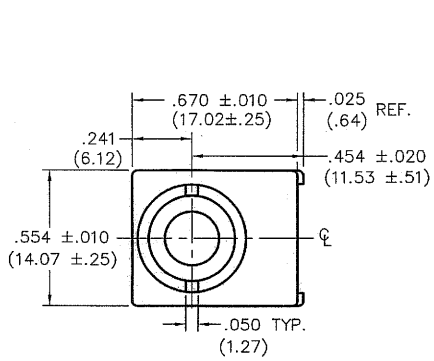
DIMENSIONS IN INCHES (MILLIMETERS)  
DO NOT SCALE DRAWING .....

Dwg. No.

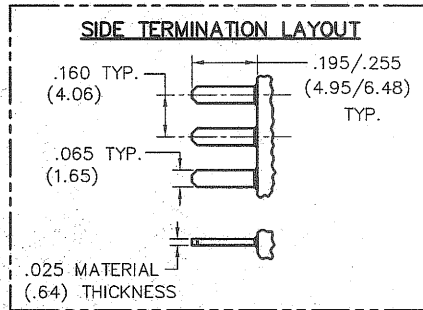
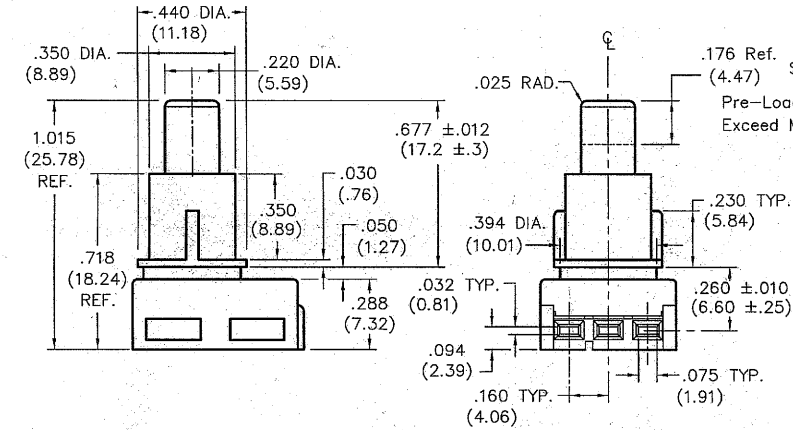
GC-536BQL-0400

E  
D  
C  
B  
A

THIS INFORMATION IS CONFIDENTIAL AND PROPRIETARY TO CW INDUSTRIES INCORPORATED AND ITS AFFILIATES. IT MAY NOT BE DISCLOSED TO ANYONE, OTHER THAN CW INDUSTRIES PERSONNEL, WITHOUT WRITTEN AUTHORIZATION FROM CW INDUSTRIES INCORPORATED, SOUTHAMPTON, PENNSYLVANIA USA.



**SWITCH TRAVEL SPECIFICATIONS**



**SPECIFICATIONS:**

**MATERIALS:**

- HOUSING & BASE - Nylon and or Glass Filled  
Nylon 6/6 UL 94-V2 minimum
- ACTUATOR - Delrin UL 94-HB minimum
- MOVING CONTACT - Copper Alloy/Phos. Bronze Silver Plated
- STATIONARY CONTACT - Copper Alloy Silver Plated
- ELECTRICAL RATING - 1A. 125V.A.C.  
3A. 14V.D.C.
- MECHANICAL PERFORMANCE - 30,000 Cycles minimum  
at Rated Load.
- OPERATING FORCE - 15 - 22 ozs. Typical,  
4.2 - 6.1 Newtons Typical,
- VOLTAGE DROP - .030V. MAX @ .7A
- TERMINATION - Insert male tabs into switch housing  
using side termination. Refer  
to termination layout for dimensions."
- OPERATING TEMPERATURE - 30°C - +105°C

1	2	3	4	5	6	7	8	9	10
---	---	---	---	---	---	---	---	---	----

B-FORMAT 2002  
REVISIONS  
0  
RELEASED  
DGW 2-14-2012  
Feb 14 2012

**CW INDUSTRIES**  
Southampton, Pa. 18966

TOLERANCES UNLESS OTHERWISE SPECIFIED

2 Place Decimal ±.010	METRIC
3 Place Decimal ±.005	1 Place Dec. ±.25mm
Angles ..... ±1°	2 Place Dec. ±.13mm

Made for: CW IND.  
Drawn by: DGW 2-14-2012  
Checked by: CB 2/14/12  
Approval: C. Hanson 2/14

Title: **QUIET SWITCH ASSEMBLY**  
**PUSH ON-PUSH OFF**  
**S.P.D.T. W/RIBS**

Division: **SWITCH**  
Dwg. No. **GC-536BQL-0400**

**MASTER**