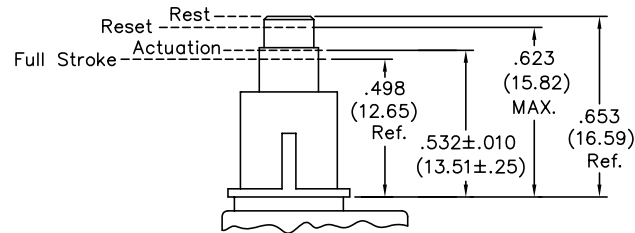
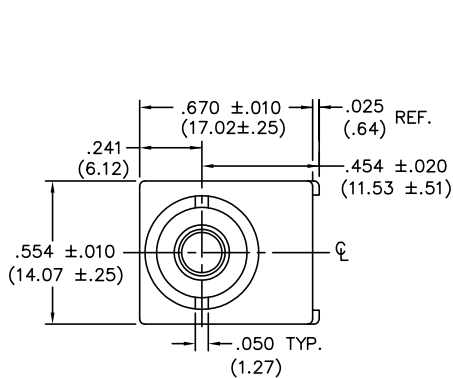
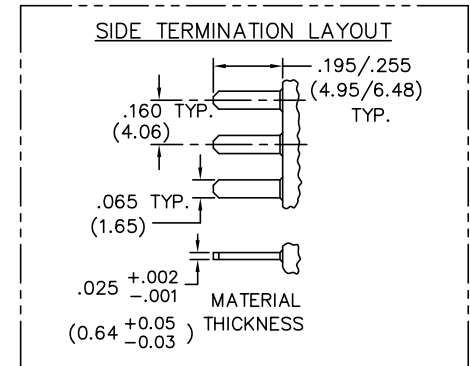
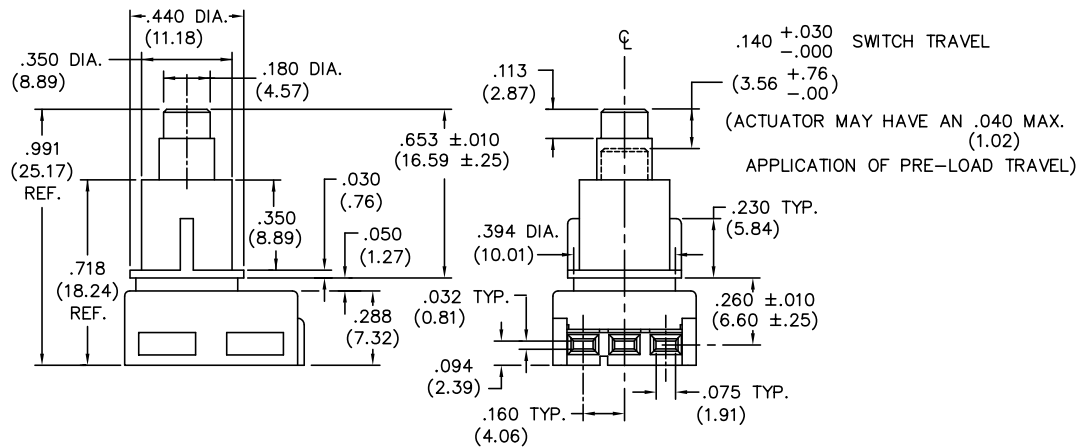


DIMENSIONS IN INCHES (MILLIMETERS)
DO NOT SCALE DRAWING

Dwg. No.
GC-536B-0208



SWITCH TRAVEL SPECIFICATIONS



TERMINATION - Insert male tabs into switch housing using side termination. Refer to side termination layout for dimensions."

FORM-B3
REVISIONS

1 2 3 4 5 6 7 8 9 10

THIS INFORMATION IS CONFIDENTIAL AND PROPRIETARY TO CW INDUSTRIES INCORPORATED AND ITS AFFILIATES. IT MAY NOT BE DISCLOSED TO ANYONE, OTHER THAN CW INDUSTRIES PERSONNEL, WITHOUT WRITTEN AUTHORIZATION FROM CW INDUSTRIES INCORPORATED, SOUTHAMPTON, PENNSYLVANIA USA.

CW INDUSTRIES
Southampton, Pa. 18966

Title:
SWITCH ASSEMBLY
PUSH ON-PUSH OFF
S.P.D.T. W/RIBS

TOLERANCES UNLESS OTHERWISE SPECIFIED
2 Place Decimal ±.010 METRIC
3 Place Decimal ±.005 1 Place Dec. ±.25mm
Angles ±1' 2 Place Dec. ±.13mm

Made for: CW IND.
Drawn by: DGW 11-17-2010
Checked by: G. Guld 11-18-10
Approval: EJP 11/19/10

Division:
SWITCH
Dwg. No.
GC-536B-0208