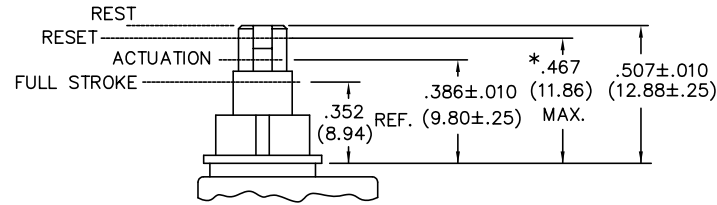
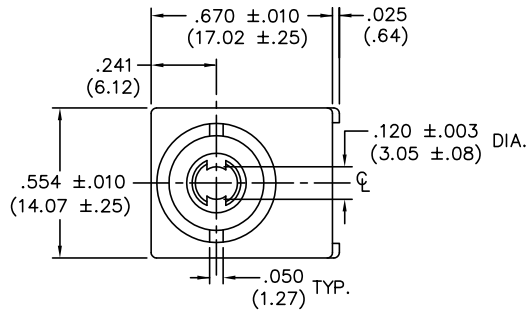


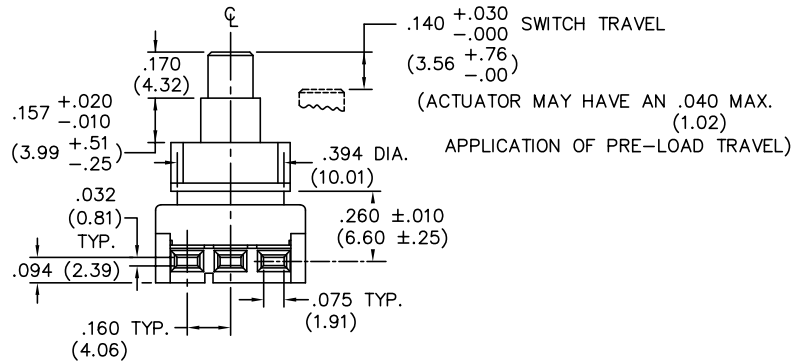
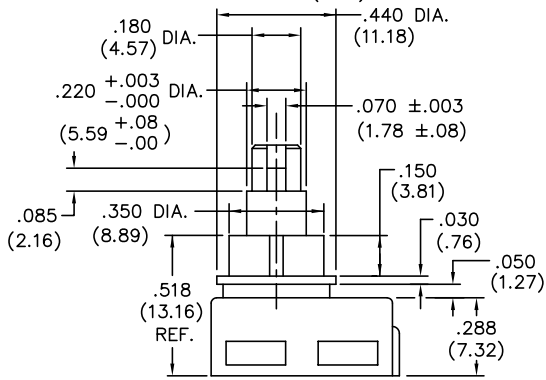
DIMENSIONS IN INCHES (MILLIMETERS)
DO NOT SCALE DRAWING

Dwg. No.
GC-536B-0111



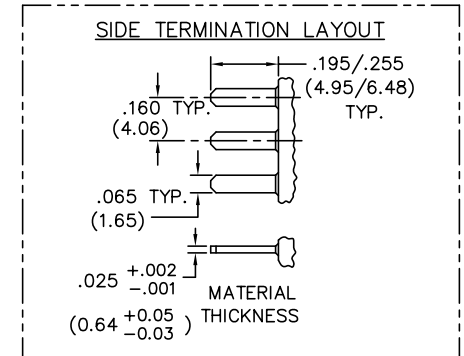
SWITCH TRAVEL SPECIFICATIONS

* Mating Part can Pre-Load Actuator down to .467 (11.86) max..



(ACTUATOR MAY HAVE AN .040 MAX. (1.02))

APPLICATION OF PRE-LOAD TRAVEL



TERMINATION - Insert male tabs into switch housing using side termination. Refer to side termination layout for dimensions."

1 2 3 4 5 6 7 8 9 10

FORM-B3	REVISIONS	THIS INFORMATION IS CONFIDENTIAL AND PROPRIETARY TO CW INDUSTRIES INCORPORATED AND ITS AFFILIATES. IT MAY NOT BE DISCLOSED TO ANYONE, OTHER THAN CW INDUSTRIES PERSONNEL, WITHOUT WRITTEN AUTHORIZATION FROM CW INDUSTRIES INCORPORATED, SOUTHAMPTON, PENNSYLVANIA USA.	

P.D.F. File Made	CW INDUSTRIES Southampton, Pa. 18966	Title: SWITCH ASSEMBLY PUSH ON -PUSH OFF S.P.D.T. W/CUSTOM KNOB	
	TOLERANCES UNLESS OTHERWISE SPECIFIED	Division: SWITCH	
	2 Place Decimal ±.010 3 Place Decimal ±.005 Angles ±1°	METRIC 1 Place Dec. ±.25mm 2 Place Dec. ±.13mm	Dwg. No. GC-536B-0111
	Made for: CW IND. Drawn by: DGW 11-17-2010 Checked by: G. Guld 11-18-10 Approval: EJP 11/19/10		