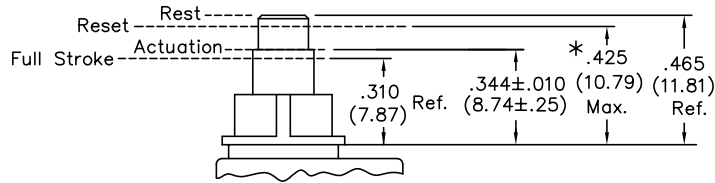
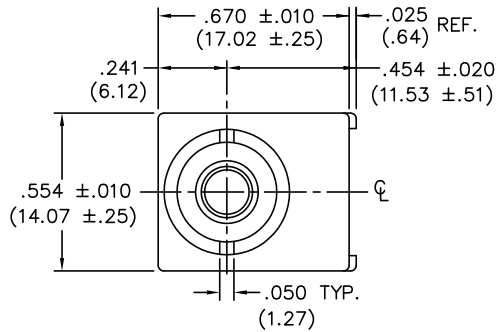


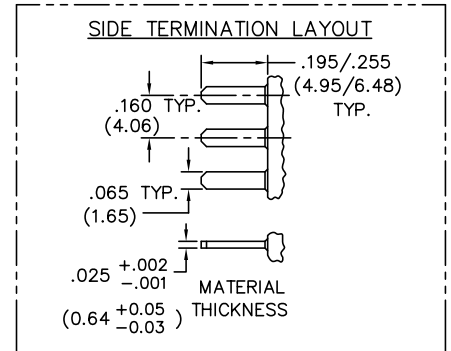
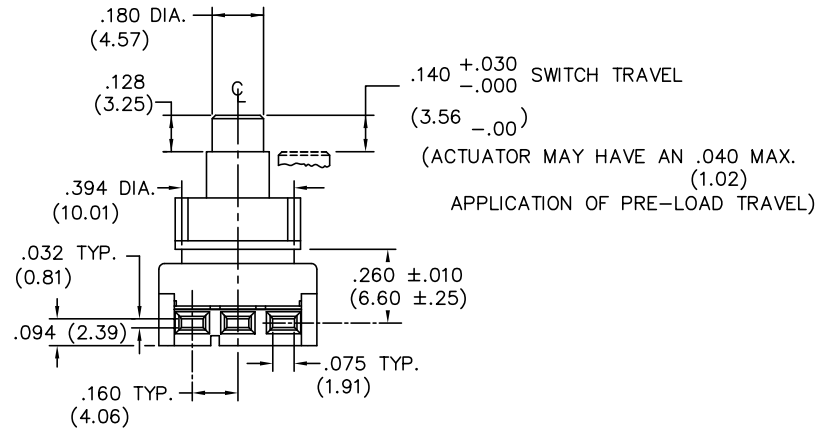
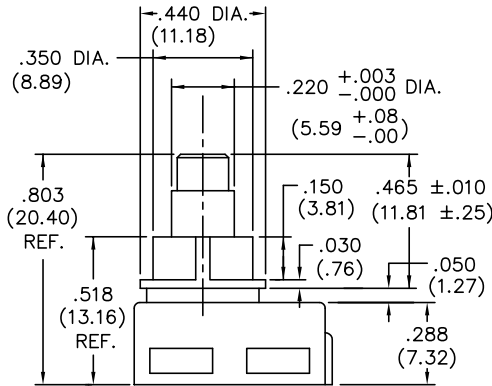
DIMENSIONS IN INCHES (MILLIMETERS)
DO NOT SCALE DRAWING

Dwg. No.
GC-536B-0107



SWITCH TRAVEL SPECIFICATIONS

* Mating Part can Pre-Load Actuator down to .425 (10.79) max..



TERMINATION - Insert male tabs into switch housing using side termination. Refer to side termination layout for dimensions."

1 2 3 4 5 6 7 8 9 10

REVISIONS

THIS INFORMATION IS CONFIDENTIAL AND PROPRIETARY TO CW INDUSTRIES INCORPORATED AND ITS AFFILIATES. IT MAY NOT BE DISCLOSED TO ANYONE, OTHER THAN CW INDUSTRIES PERSONNEL, WITHOUT WRITTEN AUTHORIZATION FROM CW INDUSTRIES INCORPORATED, SOUTHAMPTON, PENNSYLVANIA USA.

CW INDUSTRIES
Southampton, Pa. 18966

TOLERANCES UNLESS OTHERWISE SPECIFIED	
2 Place Decimal ±.010	METRIC
3 Place Decimal ±.005	1 Place Dec. ±.25mm
Angles ±1°	2 Place Dec. ±.13mm

Made for: CW IND.
 Drawn by: DGW 11-17-2010
 Checked by: G. Guld 11-18-10
 Approval: EJP 11/19/10

Title: SWITCH ASSEMBLY
 PUSH ON-PUSH OFF
 S.P.D.T.
 W/RIBS

Division: SWITCH

Dwg. No. GC-536B-0107

FORM-B3