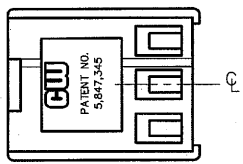
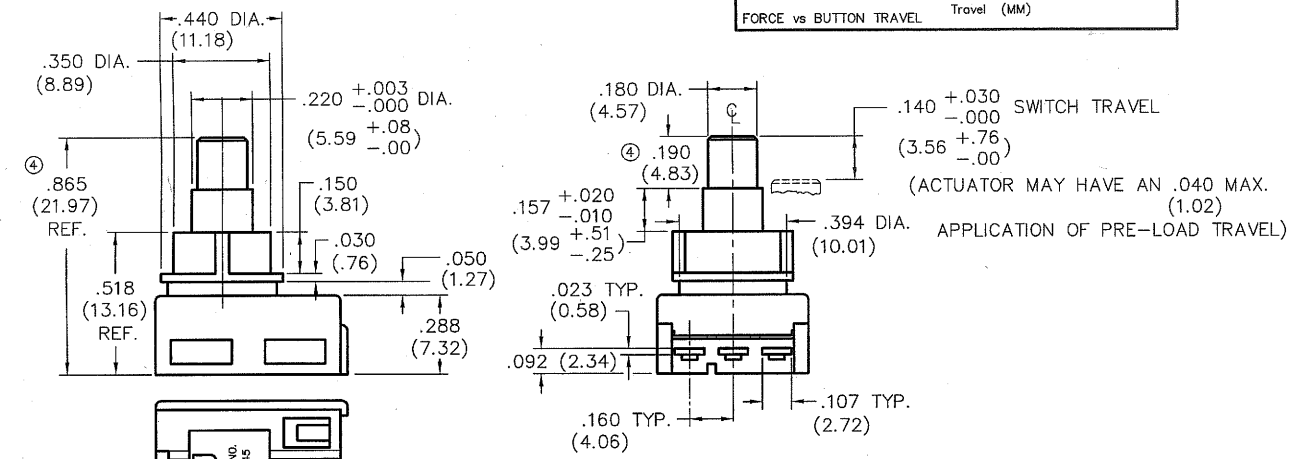
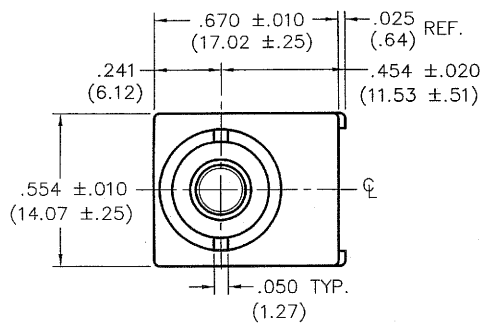
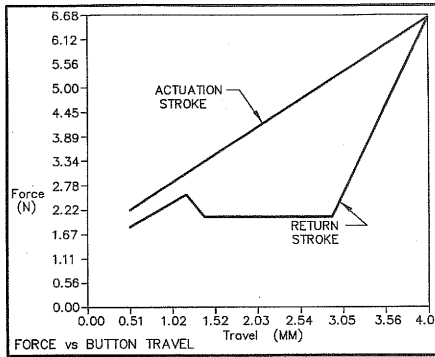


SPECIFICATIONS:

MATERIALS:

- HOUSING & BASE - Nylon and or Glass Filled
Nylon 6/6 UL 94-V2 minimum
- ACTUATOR - Nylon 6/6 UL 94-V2 minimum
- MOVING CONTACT - Copper Alloy/Phos. Bronze Silver Plated
- ⑤ STATIONARY CONTACT - BeCu 174 Alloy, Silver Plated
- ⑤ ELECTRICAL RATING - 1A. 125V.A.C.
3A. 14-24V.D.C.
- MECHANICAL PERFORMANCE - 30,000 Cycles minimum
at Rated Load.
- ② OPERATING FORCE - 17 - 24ozs.,
4.6 - 6.6 Newtons,
Spec. as Tested
- VOLTAGE DROP - Less than 100mV @ 1A.
- OPERATING TEMPERATURE - 105°C Max. ⑤
- TERMINATION - Switch mates with CW wire crimp terminal
part no. G-20-217. Terminals insert & lock
into slots shown on base of switch.
Terminal can accept single 18 AWG. or Double
Terminated 24 AWG. Wire Leads.



REVISIONS	1	2	3	4	5	6	7	8	9	10
0	1	2	3	4	5	6	7	8	9	10
RELEASED. DGW 9-22-2004 CH Sept. 22, 2004	.865 REF. WAS .845 REF. & .190 WAS .170. DGW 11-22-2004 GG NOV. 23, 2004	CHANGED OPERATING FORCE, 17-24 OZS. WAS 20-31 OZS. & 4.6-6.6 NEWTONS WAS 5.6-8.6. DGW 2-21-2005 GG FEB. 21, 2005	REDRAWN .819 WAS .865 & .144 WAS .190. DGW 3-15-2005 GG MAR. 15, 2005	REDRAWN .865 WAS .819 & .190 WAS .144. DGW 3-31-2005 GG APR 04 2005	REMOVED 75/4 IN. FROM STATIONARY CONTACT & ADDED 24 TO 14VDC & ADDED OPERATING TEMPERATURE 105° MAX. DGW 3-15-2012					

ATTENTION
THIS DRAWING AND ITS ATTACHMENT, IF ANY, ARE
PROPRIETARY TO CW INDUSTRIES AND DESCRIBE
DESIGNS THAT ARE CONFIDENTIAL AND MUST NOT
BE DISCLOSED UNLESS AUTHORIZED, IN WRITING,
BY AN OFFICER OF CW INDUSTRIES.....

PDF File Made	CW INDUSTRIES Southampton, Pa. 18966	Title: SWITCH ASSEMBLY PUSH ON-PUSH OFF S.P.D.T. W/RIBS & SPECIAL BUTTON
	TOLERANCES UNLESS OTHERWISE SPECIFIED	
	2 Place Decimal ±.010 METRIC 3 Place Decimal ±.005 1 Place Dec. ±.25mm Angles ±1' 2 Place Dec. ±.13mm	
	Made for: CW IND. Drawn by: DGW 9-22-2004 Checked by: G. Guld 3-31-05 Approval: A. Hasfeld 3/31/05	Division: SWITCH Dwg. No. GC-536A-0112

MASTER