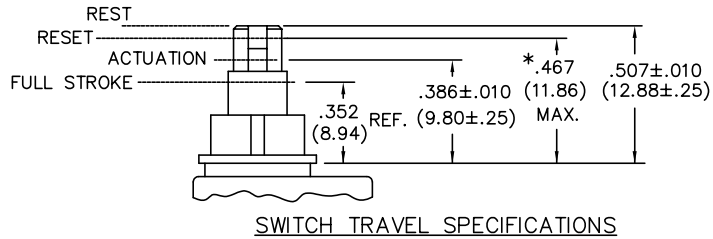
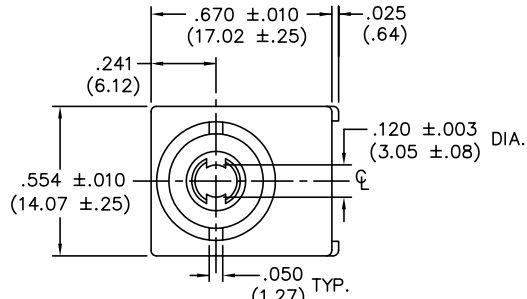
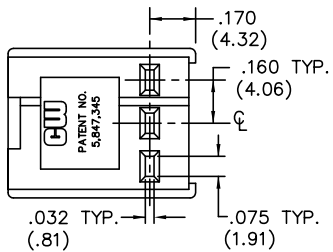
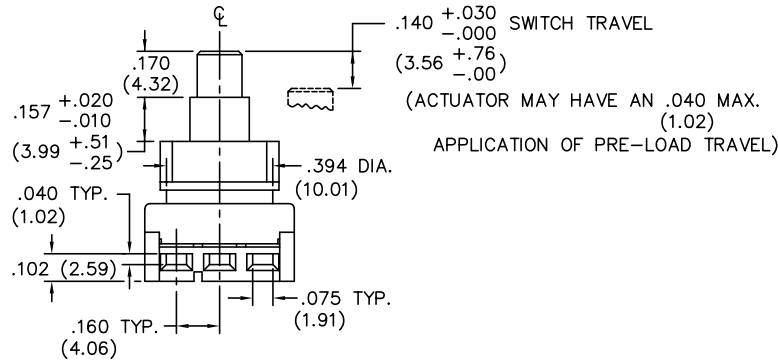
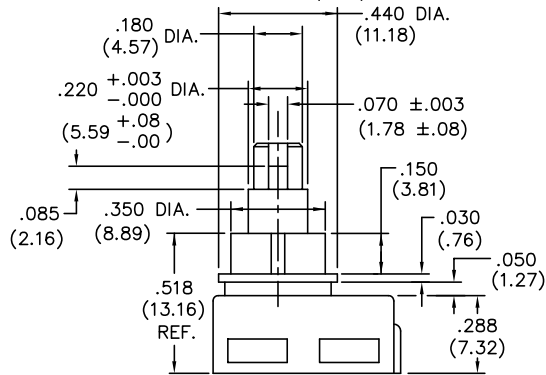


E  
D  
C  
B  
A

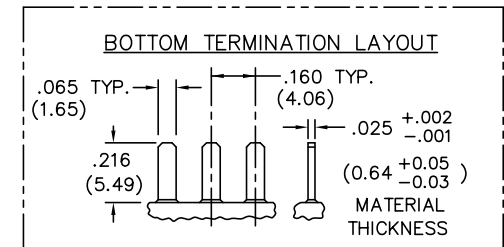
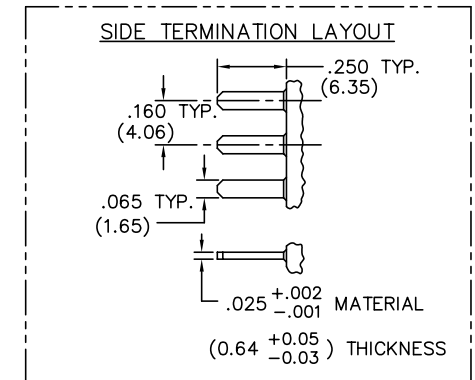


\* Mating Part can Pre-Load Actuator down to .467 (11.86) max..



DIMENSIONS IN INCHES (MILLIMETERS)  
DO NOT SCALE DRAWING .....

Dwg. No.  
**GC-536-0111**



TERMINATION - Insert male tabs into switch housing using side or bottom termination option. Refer to termination option layout for dimensions."

1 2 3 4 5 6 7 8 9 10

FORM-B3  
REVISIONS

THIS INFORMATION IS CONFIDENTIAL AND PROPRIETARY TO CW INDUSTRIES INCORPORATED AND ITS AFFILIATES. IT MAY NOT BE DISCLOSED TO ANYONE, OTHER THAN CW INDUSTRIES PERSONNEL, WITHOUT WRITTEN AUTHORIZATION FROM CW INDUSTRIES INCORPORATED, SOUTHAMPTON, PENNSYLVANIA USA.

**CW INDUSTRIES**  
Southampton, Pa. 18966

TOLERANCES UNLESS OTHERWISE SPECIFIED  
2 Place Decimal ±.010 METRIC  
3 Place Decimal ±.005 1 Place Dec. ±.25mm  
Angles ..... ±1' 2 Place Dec. ±.13mm

Made for: CW IND.  
Drawn by: DGW 11-17-2010  
Checked by: G. Guild 11-18-10  
Approval: EJP 11/19/10

Title: SWITCH ASSEMBLY  
PUSH ON - PUSH OFF  
S.P.D.T.  
W/CUSTOM KNOB

Division: SWITCH  
Dwg. No.  
**GC-536-0111**