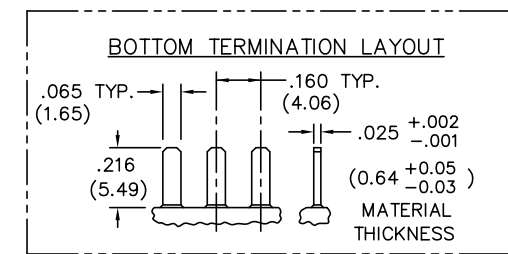
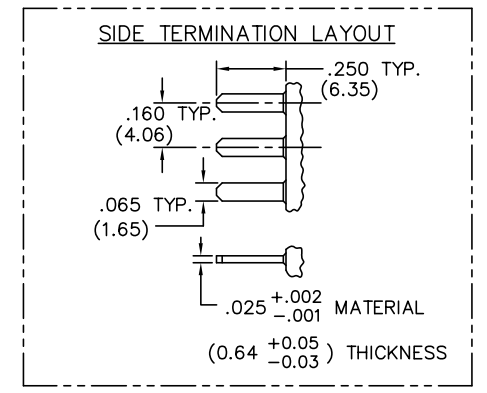
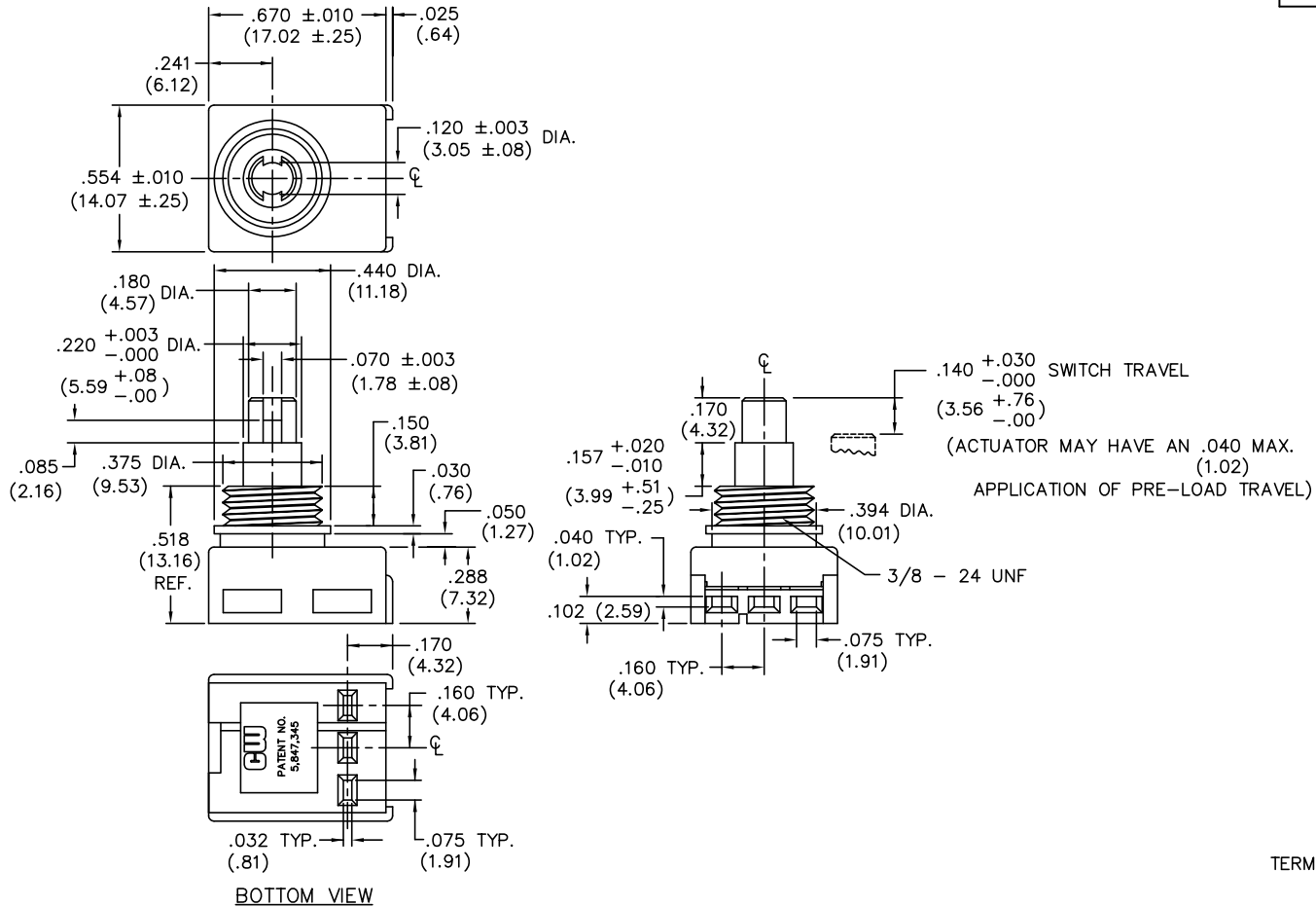


DIMENSIONS IN INCHES (MILLIMETERS)
DO NOT SCALE DRAWING

Dwg. No.
GC-536-0105



TERMINATION - Insert male tabs into switch housing using side or bottom termination option. Refer to termination option layout for dimensions."

FORM-B3	REVISIONS	THIS INFORMATION IS CONFIDENTIAL AND PROPRIETARY TO CW INDUSTRIES INCORPORATED AND ITS AFFILIATES. IT MAY NOT BE DISCLOSED TO ANYONE, OTHER THAN CW INDUSTRIES PERSONNEL, WITHOUT WRITTEN AUTHORIZATION FROM CW INDUSTRIES INCORPORATED, SOUTHAMPTON, PENNSYLVANIA USA.	

PDF File Made	CW INDUSTRIES Southampton, Pa. 18966	Title: SWITCH ASSEMBLY PUSH ON - PUSH OFF S.P.D.T. W/CUSTOM KNOB
	TOLERANCES UNLESS OTHERWISE SPECIFIED	
	2 Place Decimal ±.010 METRIC	
	3 Place Decimal ±.005	1 Place Dec. ±.25mm
	Angles ±1°	2 Place Dec. ±.13mm
Made for: CW IND.	Division: SWITCH	
Drawn by: DGW 11-17-2010	Dwg. No. GC-536-0105	
Checked by: G. Guld 11-18-10		
Approval: EJP 11/19/10		