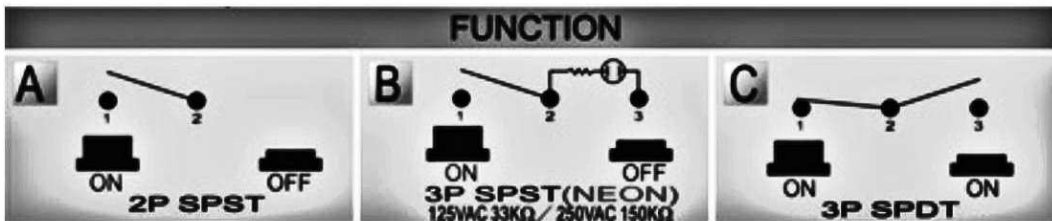
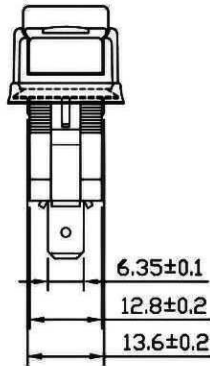
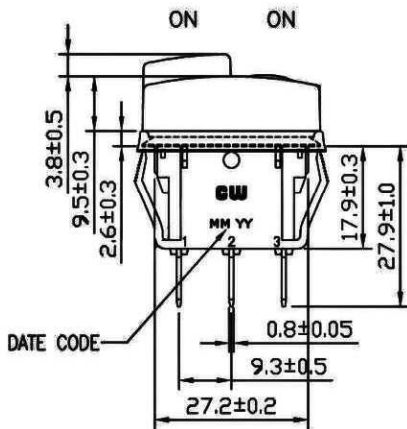
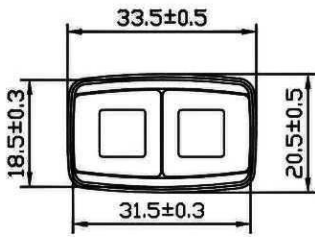


THIS INFORMATION IS CONFIDENTIAL AND PROPRIETARY TO CW INDUSTRIES INCORPORATED AND ITS AFFILIATES. IT MAY NOT BE DISCLOSED TO ANYONE OTHER THAN CW INDUSTRIES PERSONNEL, WITHOUT WRITTEN AUTHORIZATION FROM CW INDUSTRIES INCORPORATED, SOUTHAMPTON, PENNSYLVANIA USA.

Rating	16A 125VAC 1/3HP 10A 250VAC 1/2HP	Mounting Hole	Circuit Diagram												
	10(4) 250V~														
Contact Resistance	50m ohm Max.		SEE CHART												
Insulation Resistance	DC 500V 100M ohm Min.														
Dielectric Strength	AC 1500V 1 minute														
Switch Function	SEE CHART														
		<table border="1"> <tr> <th>Thickness</th> <th>X</th> <th>Y</th> </tr> <tr> <td>0.75...3</td> <td>27.6-0.1</td> <td>13.8+0.1</td> </tr> <tr> <td>3...4</td> <td>27.8-0.1</td> <td>13.8+0.1</td> </tr> <tr> <td>4...5</td> <td>28.0-0.1</td> <td>13.8+0.1</td> </tr> </table>	Thickness	X	Y	0.75...3	27.6-0.1	13.8+0.1	3...4	27.8-0.1	13.8+0.1	4...5	28.0-0.1	13.8+0.1	
Thickness	X	Y													
0.75...3	27.6-0.1	13.8+0.1													
3...4	27.8-0.1	13.8+0.1													
4...5	28.0-0.1	13.8+0.1													

Frames and Actuators are nylon (UL flame:94-2).
Illuminated actuators are molded in PC, available in Red, Amber or Green colors.
Terminals are silver plated brass.
Waterproof and dustproof to fit IP-56.



RoHS Compliant

CW INDUSTRIES
Southampton, Pa. 18966
Tel 215.355.7080/www.cwind.com

Date Drawn: 1/28/11

Rev. 0

Unit: mm

Checked By: G.Guld

Title:
PUSH BUTTON SWITCH

CW P/N:
GPB526XSERIES