
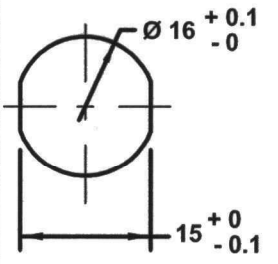
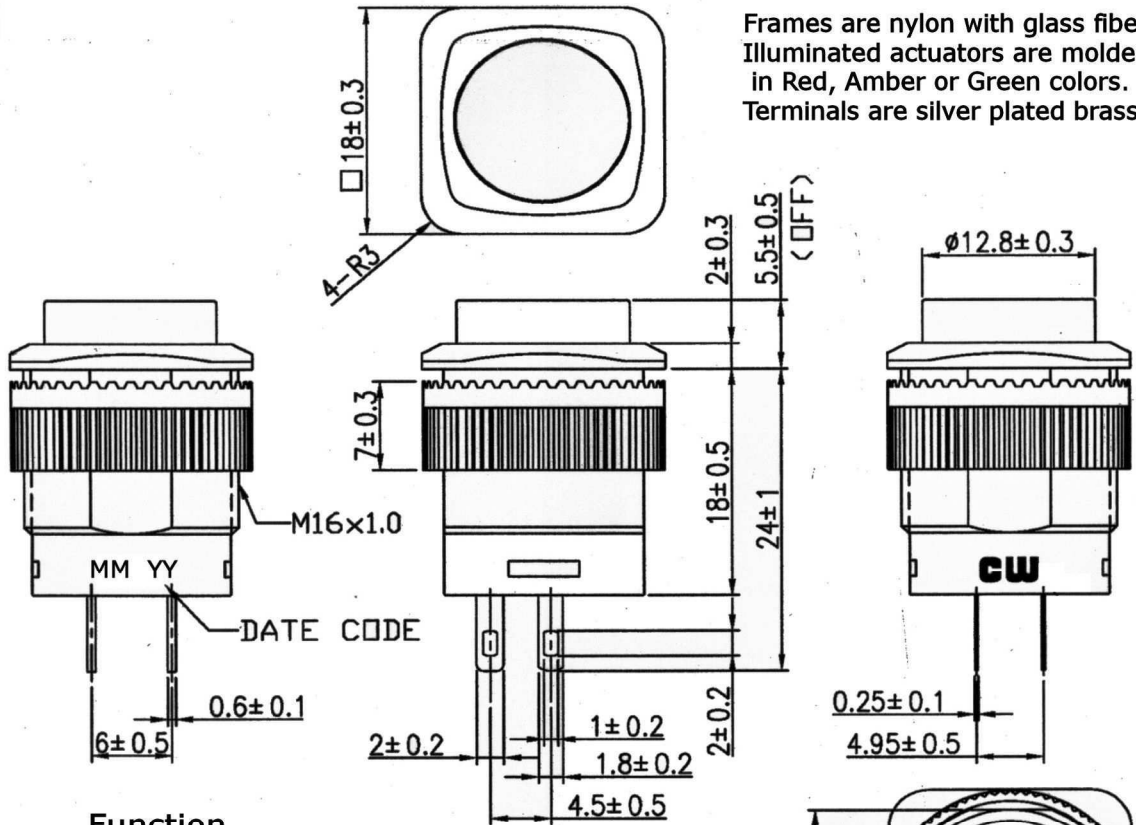
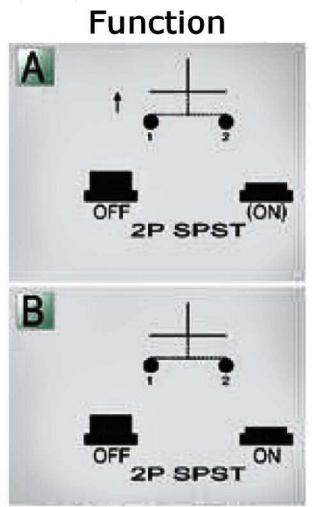


THIS INFORMATION IS CONFIDENTIAL AND PROPRIETARY TO CW INDUSTRIES INCORPORATED AND ITS AFFILIATES. IT MAY NOT BE DISCLOSED TO ANYONE, OTHER THAN CW INDUSTRIES PERSONNEL, WITHOUT WRITTEN AUTHORIZATION FROM CW INDUSTRIES INCORPORATED, SOUTHAMPTON, PENNSYLVANIA USA.

Rating	3A 125V, 1.5A 250V AC		<div style="border: 1px solid black; padding: 5px;"> <p style="text-align: center;">Mounting Hole</p>  <p style="text-align: center;">Cut-Out 7mm thk. max.</p> </div>
Contact Resistance	50m ohm max.		
Insulation Resistance	DC 500V 100M ohm min.		
Dielectric Strength	AC 1500V 1 minute		
Operating Temperature	-20°C ~ 85°C		



Frames are nylon with glass fiber (UL flame: 94V-2).
Illuminated actuators are molded in PC, available in Red, Amber or Green colors.
Terminals are silver plated brass.



Button

W/O LED


With LED (3VDC)

Terminal

0 5 SO

() = Momentary Function

RoHS Compliant

 <p>CW INDUSTRIES Southampton, Pa. 18966 Tel 215.355.7080/www.cwind.com</p>	Date Drawn: 2/08/11	Rev. 0	Unit: mm	Checked By: G.GULD
	Title: PUSH BUTTON SWITCH		CW P/N: GPB508XSERIES	