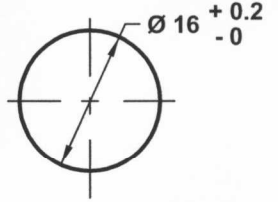
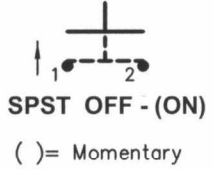
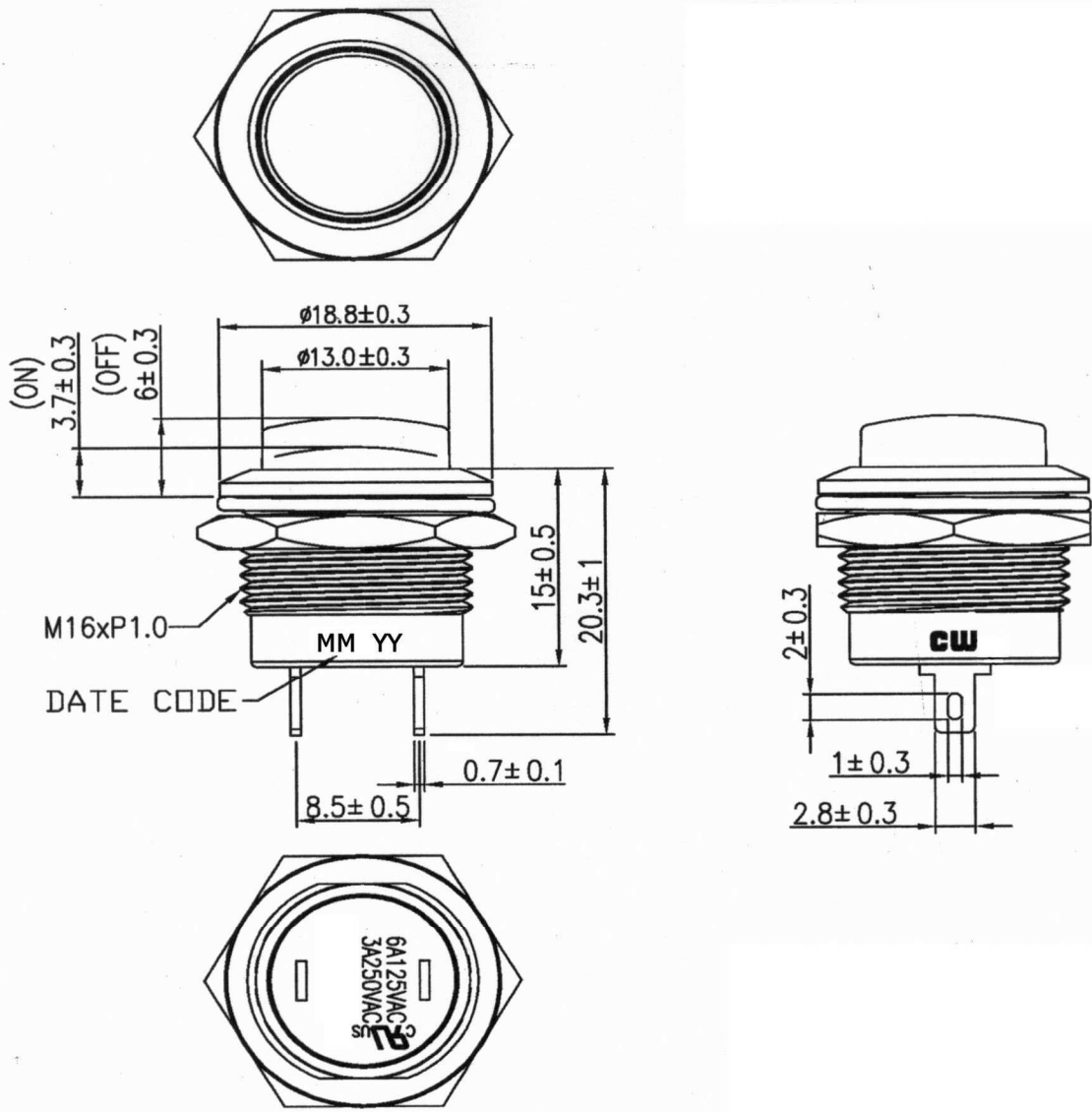


THIS INFORMATION IS CONFIDENTIAL AND PROPRIETARY TO CW INDUSTRIES INCORPORATED AND ITS AFFILIATES. IT MAY NOT BE DISCLOSED TO ANYONE, OTHER THAN CW INDUSTRIES PERSONNEL, WITHOUT WRITTEN AUTHORIZATION FROM CW INDUSTRIES INCORPORATED, SOUTHAMPTON, PENNSYLVANIA USA.


Rating	6A 125VAC , 3A 250V AC	Mounting Hole 	Circuit Diagram  SPST OFF -(ON) () = Momentary
Contact Resistance	50m ohm max.		
Insulation Resistance	DC 500V 100M ohm min.		
Dielectric Strength	AC 1000V 1 minute		
Operating Temperature	-20 °C ~ 85 °C		

METAL BASE: Nickel plated brass.
 BUTTON COLOR: Black

Cut-Out 6mm thk. max.



RoHS Compliant

 CW INDUSTRIES Southampton, Pa. 18966 Tel 215.355.7080/www.cwind.com	Date Drawn: 2/08/11	Rev. 0	Unit: mm	Checked By: G.GULD
	Title: PUSH BUTTON SWITCH		CW P/N: GPB507MA05BB	