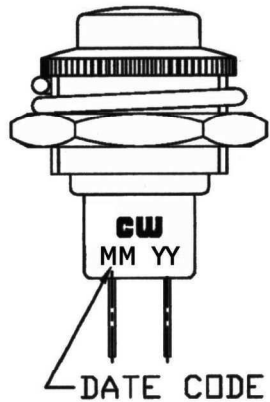
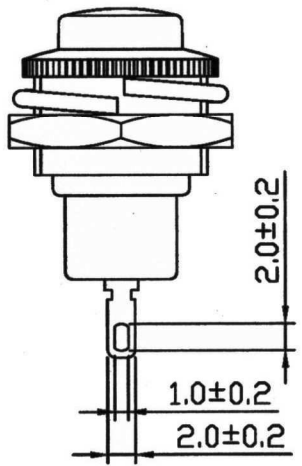
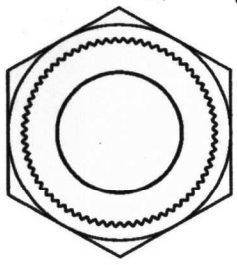
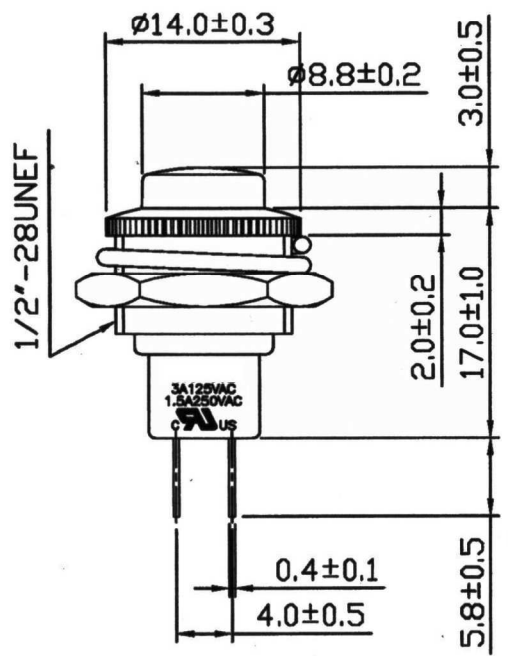


THIS INFORMATION IS CONFIDENTIAL AND PROPRIETARY TO CW INDUSTRIES INCORPORATED AND ITS AFFILIATES. IT MAY NOT BE DISCLOSED TO ANYONE, OTHER THAN CW INDUSTRIES PERSONNEL, WITHOUT WRITTEN AUTHORIZATION FROM CW INDUSTRIES INCORPORATED, SOUTHAMPTON, PENNSYLVANIA USA.

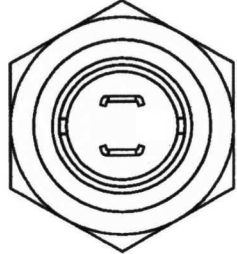
Rating	3A 125V AC 1.5A 250V AC (A)	UL _{US}	Mounting Hole
	3A 125V AC 1.5A 250V AC (B & C)		
Contact Resistance	50m ohm max.		
Insulation Resistance	DC 500V 100M ohm min.		
Dielectric Strength	AC 1000V 1 minute		
Operating Temperature	0° C ~ 85° C		

Cut-Out 3mm thk. max.

Frames are nylon (UL flame: 94V-2).
 "M" types are metal frames, nickel plated brass.
 Terminals are silver plated brass.



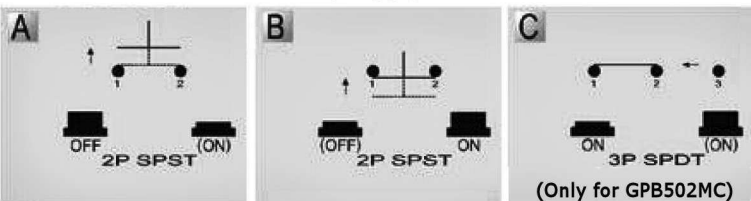
(Metal Body Shown)



Body



Function



Terminal



RoHS Compliant

CW INDUSTRIES
 Southampton, Pa. 18966
 Tel 215.355.7080/www.cwind.com

Date Drawn: 2/08/11

Rev. 0

Unit: mm

Checked By: G.GULD

Title: **PUSH BUTTON SWITCH**

CW P/N: **GPB502XSERIES**