

THIS INFORMATION IS CONFIDENTIAL AND PROPRIETARY TO CW INDUSTRIES INCORPORATED AND ITS AFFILIATES.
 IT MAY NOT BE DISCLOSED TO ANYONE, OTHER THAN CW INDUSTRIES PERSONNEL, WITHOUT WRITTEN
 AUTHORIZATION FROM CW INDUSTRIES INCORPORATED, SOUTHAMPTON, PENNSYLVANIA USA.

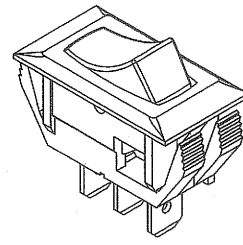
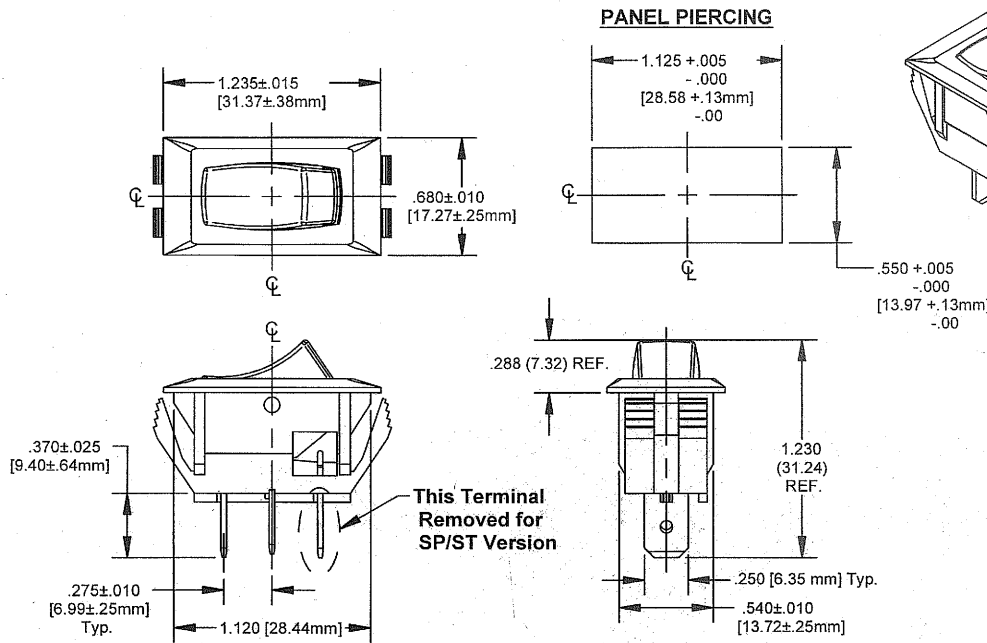
E
 D
 C
 B
 A

DIMENSIONS IN INCHES (MILLIMETERS)
DO NOT SCALE DRAWING

Dwg. No.

GRHI-2011,2012,2013A

PANEL THICKNESS
 .025" To .180"
 (0.64mm To 4.57mm)



PART NO.	FUNCTION
GRHI-2011	SP/ST ON - NONE - OFF
GRHI-2012	SP/DT ON - NONE - ON
GRHI-2013A	SP/DT ON - OFF - ON

MATERIALS & SPECIFICATIONS

HOUSING & BUTTON - Thermoplastic
 MOVING & STATIONARY CONTACTS - Copper Alloy
 ENDURANCE - 100,000 Cycles, No load minimum
 25,000 Cycles at Rated load minimum
 CONTACT RESISTANCE - Less than .01 Ω at 10 mA
 OPERATING TEMPERATURE - From 65°C - 125°C maximum

Rating:

16A. 125 VAC 12A. 250VAC
 10A. 14VDC
 3/4 H.P. 125 - 250 VAC

TERMINAL OPTIONS:

.250" Wide Terminal is Standard as Shown in drawing.
 .187" Wide Terminal is Optional.

FOR OTHER POSSIBLE OPTIONS, SUCH AS PANEL POLARIZATION, INSULATING BARRIERS AND RATINGS, CONSULT FACTORY.

1	2	3	4	5	6	7	8	9	10
---	---	---	---	---	---	---	---	---	----

B-FORMAT 2010
REVISIONS
 NEW RELEASE.
 DWG. 4/13/12
CGW 4/13/12

CW INDUSTRIES
 Southampton, Pa. 18966

TOLERANCES UNLESS OTHERWISE SPECIFIED

2 Place Decimal ± .010	METRIC
3 Place Decimal ± .005	1 Place Dec. ± .25mm
Angles ± 1°	2 Place Dec. ± .13mm

Made for: CW IND.
 Drawn by: DGW 4/12/12
 Checked by: *CGW* 4/13/12
 Approval: *C. Gibson* 4/13/12

Title:
**ASSEMBLY DRAWING
 HIGH IMPACT
 ROCKER SWITCH
 1.125" x .550" PANEL**

Division:
 SWITCH

Dwg. No.
 GRHI-2011,2012,2013A