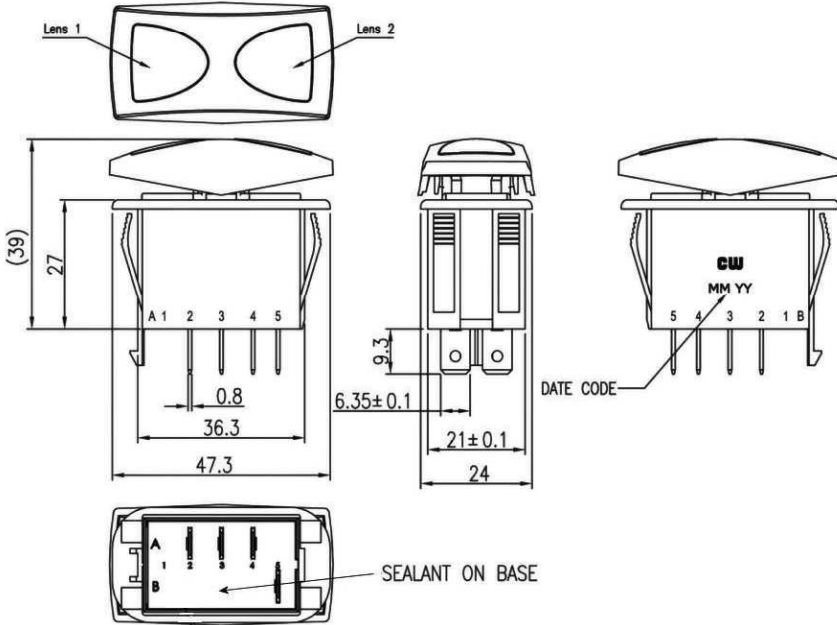


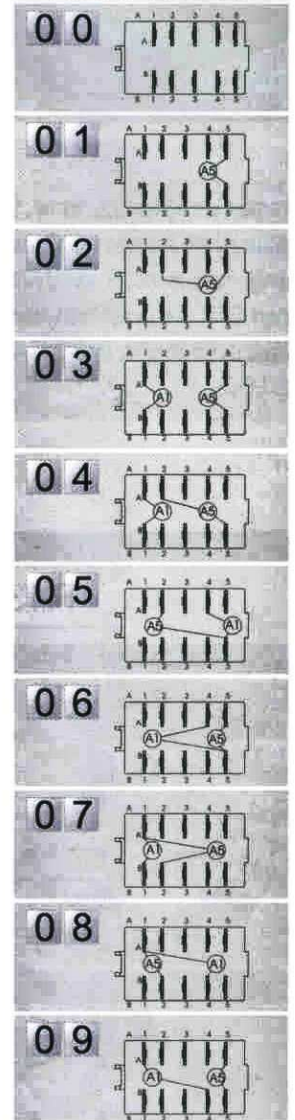
THIS INFORMATION IS CONFIDENTIAL AND PROPRIETARY TO CW INDUSTRIES INCORPORATED AND ITS AFFILIATES. IT MAY NOT BE DISCLOSED TO ANYONE, OTHER THAN CW INDUSTRIES PERSONNEL, WITHOUT WRITTEN AUTHORIZATION FROM CW INDUSTRIES INCORPORATED, SOUTHAMPTON, PENNSYLVANIA USA.

<b>Rating</b>	20A 125VAC, 10A 250VAC 3/4HP 125-250VAC	<b>Mounting Hole</b>											
	21A 14VDC, 10A 24VDC												
<b>Contact Resistance</b>	50m ohm Max.												
<b>Insulation Resistance</b>	DC 500V 100M ohm Min.												
<b>Dielectric Strength</b>	AC 1500V 1 minute	<table border="1"> <tr> <th>Thickness(mm)</th> <th>X(mm)</th> <th>Y(mm)</th> </tr> <tr> <td>0.75~1.25</td> <td rowspan="3">21.0<sup>+0.3</sup><sub>0</sub></td> <td>36.6+0.1</td> </tr> <tr> <td>1.25~2.0</td> <td>36.8+0.1</td> </tr> <tr> <td>2.0~3.0</td> <td>37.0+0.1</td> </tr> </table>		Thickness(mm)	X(mm)	Y(mm)	0.75~1.25	21.0 <sup>+0.3</sup> <sub>0</sub>	36.6+0.1	1.25~2.0	36.8+0.1	2.0~3.0	37.0+0.1
Thickness(mm)	X(mm)	Y(mm)											
0.75~1.25	21.0 <sup>+0.3</sup> <sub>0</sub>	36.6+0.1											
1.25~2.0		36.8+0.1											
2.0~3.0		37.0+0.1											
<b>Operation Temperature</b>	-25°~85°												
<b>Switch Function</b>	See Chart												

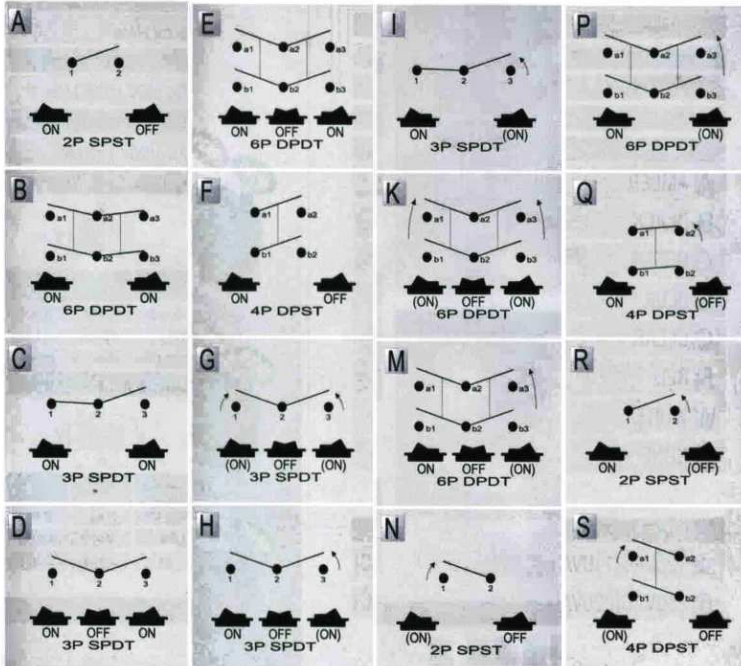


Frame is Black, nylon 66 (94V-2)  
 Actuator is Black, nylon 66+33% GF  
 Lens are molded in PC, available in Black  
 Amber, Green, Blue, Red or White.  
 Terminals are silver plated brass.  
 Waterproof to fit IP-67.

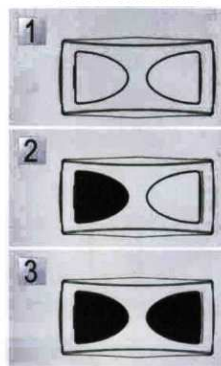
**LIGHT CIRCUIT**



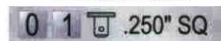
**FUNCTION**



**ACTUATOR**



**TERMINAL**



Optional legends on actuator are available.  
 (Contact Factory).

RoHS Compliant

( )= Momentary

**CW INDUSTRIES**  
 Southampton, Pa. 18966  
 Tel 215.355.7080/www.cwind.com

Date Drawn: 1/26/11

Rev. 0

Unit: mm

Checked By:

Title: **ROCKER SWITCH**

CW P/N: **GRB292XXSERIES**