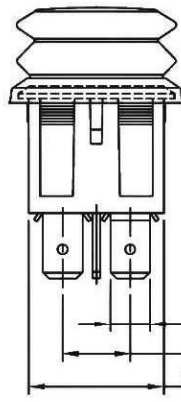
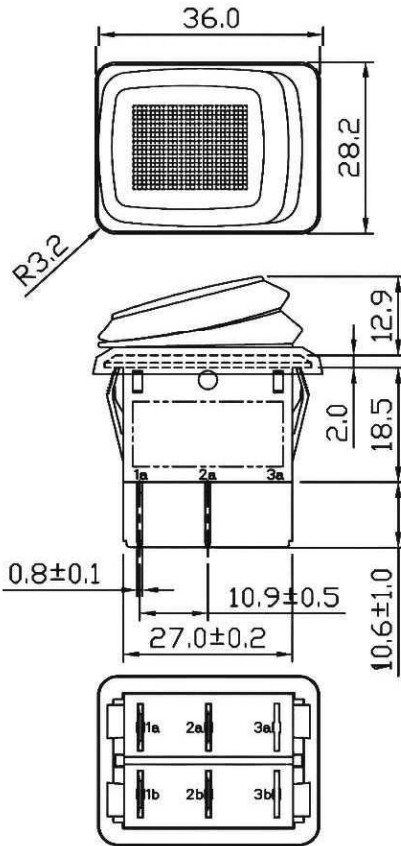


THIS INFORMATION IS CONFIDENTIAL AND PROPRIETARY TO CW INDUSTRIES INCORPORATED AND ITS AFFILIATES. IT MAY NOT BE DISCLOSED TO ANYONE, OTHER THAN CW INDUSTRIES PERSONNEL, WITHOUT WRITTEN AUTHORIZATION FROM CW INDUSTRIES INCORPORATED, SOUTHAMPTON, PENNSYLVANIA USA.

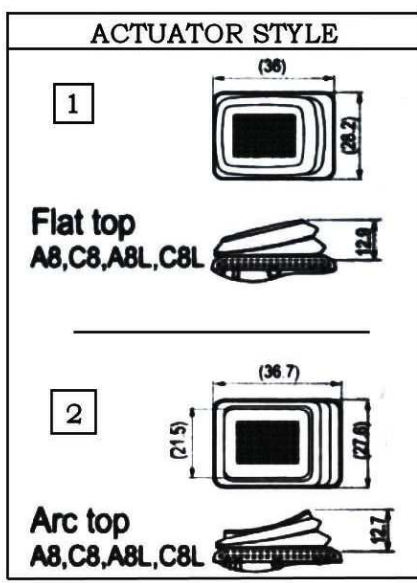
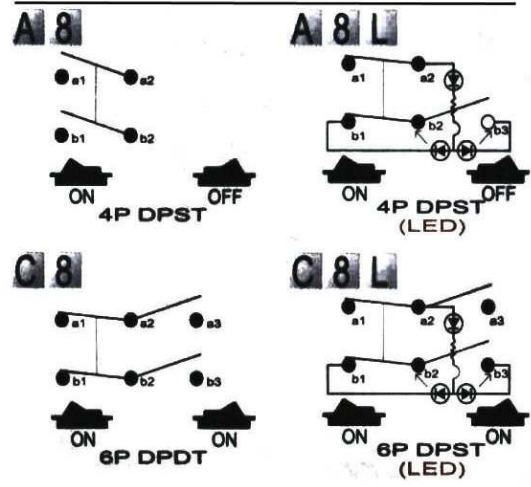
Rating	20A 125V AC 1/3HP 10A 250V AC 1/2HP	Mounting Hole	Circuit Diagram												
	20A 12V DC, 10A 24V DC														
Contact Resistance	50m ohm Max.		See Chart												
Insulation Resistance	DC 500V 100M ohm Min.														
Dielectric Strength	AC 1500V 1 minute														
Operation Temperature	-25°C~85°C.														
Switch Function	See Chart														
		<table border="1"> <tr> <th>Thickness</th> <th>X</th> <th>Y</th> </tr> <tr> <td>0.75...1.25</td> <td>30.2-0.1</td> <td>22.2+0.1</td> </tr> <tr> <td>1.25...2</td> <td>30.4-0.1</td> <td>22.2+0.1</td> </tr> <tr> <td>2...4</td> <td>30.8-0.1</td> <td>22.2+0.1</td> </tr> </table>	Thickness	X	Y	0.75...1.25	30.2-0.1	22.2+0.1	1.25...2	30.4-0.1	22.2+0.1	2...4	30.8-0.1	22.2+0.1	
Thickness	X	Y													
0.75...1.25	30.2-0.1	22.2+0.1													
1.25...2	30.4-0.1	22.2+0.1													
2...4	30.8-0.1	22.2+0.1													



Frames are nylon (UL flame: 94V-2).
 Actuator is Black, PC (94V-2).
 Illuminated Actuators are molded in PC, available in
 Clear, Red, Amber or Green colors.
 Waterproof Rubber: Black, Silicone.
 Terminals are silver plated brass.
 Waterproof to fit IP-65.

TERMINAL
 1 .250" SQ

FUNCTION



RoHS Compliant

CW INDUSTRIES
 Southampton, Pa. 18966
 Tel 215.355.7080/www.cwind.com

Date Drawn: 1/25/11

Rev. 0

Unit: mm

Checked By: G.Guld

Title: **ROCKER SWITCH**

CW P/N: **GRB285X8SERIES**