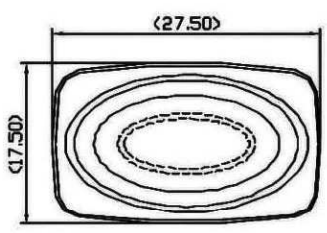
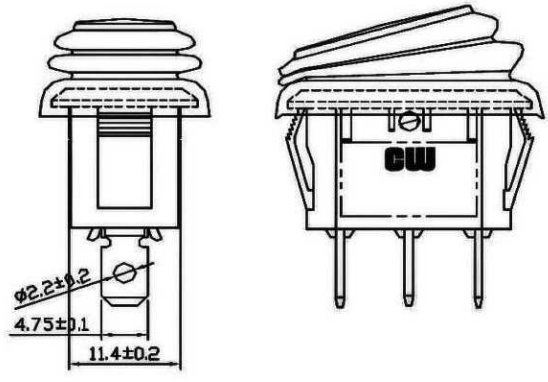
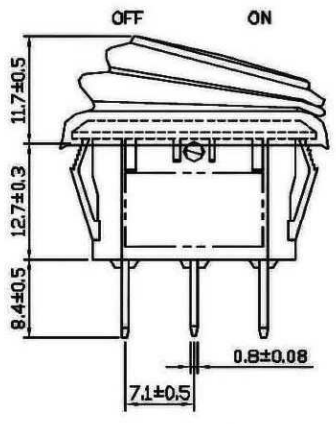


THIS INFORMATION IS CONFIDENTIAL AND PROPRIETARY TO CW INDUSTRIES INCORPORATED AND ITS AFFILIATES. IT MAY NOT BE DISCLOSED TO ANYONE, OTHER THAN CW INDUSTRIES PERSONNEL, WITHOUT WRITTEN AUTHORIZATION FROM CW INDUSTRIES INCORPORATED, SOUTHAMPTON, PENNSYLVANIA USA.

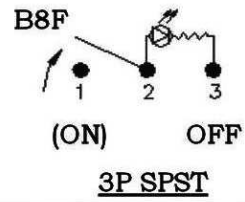
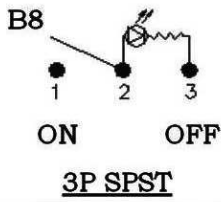
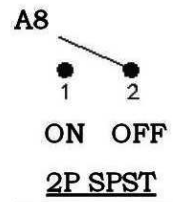
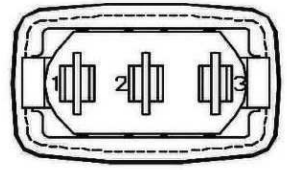
<b>Rating</b>	20A 14V DC, 10A 28V DC		<b>Circuit Diagram</b>  SEE CHART								
<b>Contact Resistance</b>	50m ohm Max.										
<b>Insulation Resistance</b>	DC 500V 100M ohm Min.										
<b>Dielectric Strength</b>	AC 1500V 1 minute										
<b>Operation Temperature</b>	25°C~85°C										
<b>Switch Function</b>	SEE CHART	<table border="1"> <tr> <td>Thickness</td> <td>X</td> <td>Y</td> </tr> <tr> <td>0.75...1.5</td> <td>23.3+0.1</td> <td>11.6+0.1</td> </tr> <tr> <td>1.5...2.5</td> <td>23.6+0.1</td> <td>11.6+0.1</td> </tr> </table>	Thickness	X	Y	0.75...1.5	23.3+0.1	11.6+0.1	1.5...2.5	23.6+0.1	11.6+0.1
Thickness	X	Y									
0.75...1.5	23.3+0.1	11.6+0.1									
1.5...2.5	23.6+0.1	11.6+0.1									



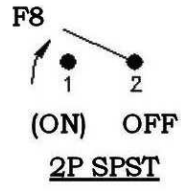
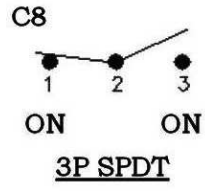
Frames are nylon (UL flame: 94V-2).  
 Actuators are Black, PC (94V-2).  
 Illuminated Actuators are molded in PC, available in Red, Amber or Green Colors.  
 Waterproof Rubber: Black, Silicone.  
 Terminals are silver plated brass.  
 Waterproof and Dustproof to fit IP-65.



**TERMINAL**  
 0 2 1 .187" SQ



( ) = Momentary Function



RoHS Compliant

**CW INDUSTRIES**  
 Southampton, Pa. 18966  
 Tel 215.355.7080/www.cwind.com

Date Drawn: 1/25/11

Rev. 0

Unit: mm

Checked By: G.Guld

Title:  
**ROCKER SWITCH**

CW P/N:  
**GRB278X8SERIES**