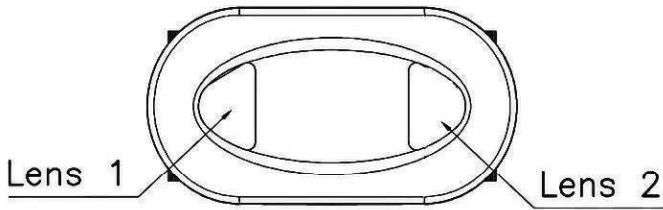
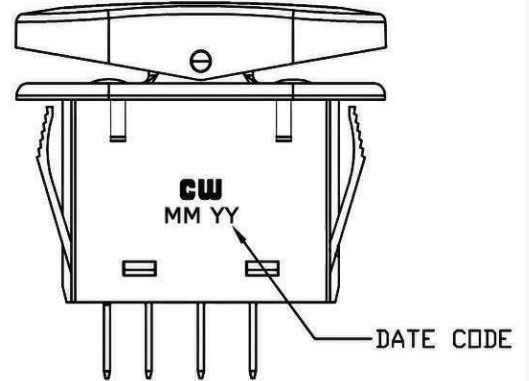
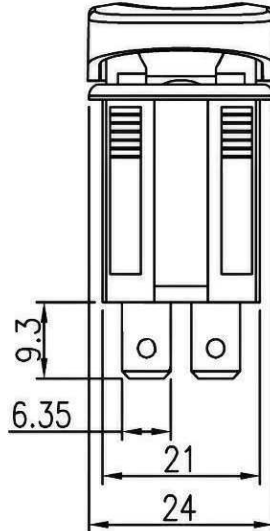
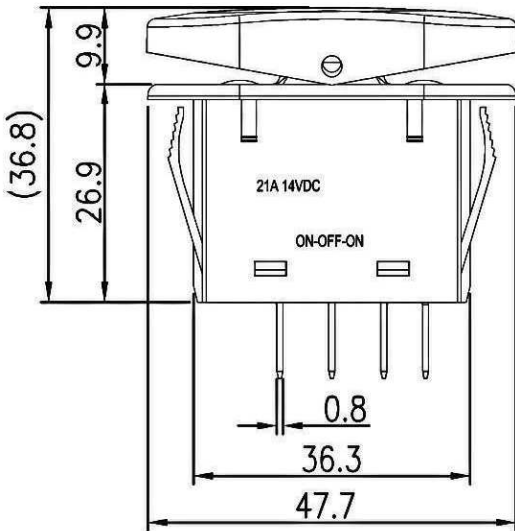


THIS INFORMATION IS CONFIDENTIAL AND PROPRIETARY TO CW INDUSTRIES INCORPORATED AND ITS AFFILIATES. IT MAY NOT BE DISCLOSED TO ANYONE, OTHER THAN CW INDUSTRIES PERSONNEL, WITHOUT WRITTEN AUTHORIZATION FROM CW INDUSTRIES INCORPORATED, SOUTHAMPTON, PENNSYLVANIA USA.

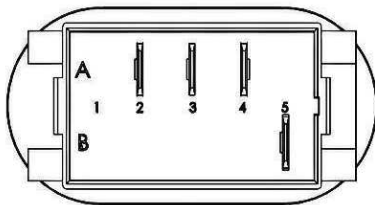
Rating		21A 14VDC		Mounting Hole		Circuit Diagram	
Contact Resistance		50m ohm Max.					
Insulation Resistance		DC 500V 100M ohm Min.					
Dielectric Strength		AC 1500V 1minute		Thickness			
Operation Temperature		-20°~85°		0.75~1.25	X	Y	
Switch Function		4P SPDT ON - OFF - ON Lamp Dependent		1.25~2	21.2+0.1	36.8+0.1	
Lamp Type		LED 12VDC 14V w/resistor		2~3	21.2+0.1	37.0+0.1	



Material:
 Frame: Nylon# 66, Black
 Actuator: Nylon# 66+30%GF, Black
 Lens1: Green, PC
 Lens2: Red, PC
 Terminal: Silver plated copper(excepted lamp terminal)
 Printed: None
 Water proof and dust proof to fit IP-66



TOLERANCE: ±0.3mm UNLESS OTHERWISE SPECIFIED.



RoHS Compliant

1 Added Dependent to Function & Lamp Type. 12/16/2011.

CW INDUSTRIES
 Southampton, Pa. 18966
 Tel 215.355.7080/www.cwind.com

Date Drawn: 5/18/10

Rev. 1

Unit: mm

Checked By: *G. Gold*

Title:
ROCKER SWITCH

CW P/N:
GRB271D3BBGR2D1