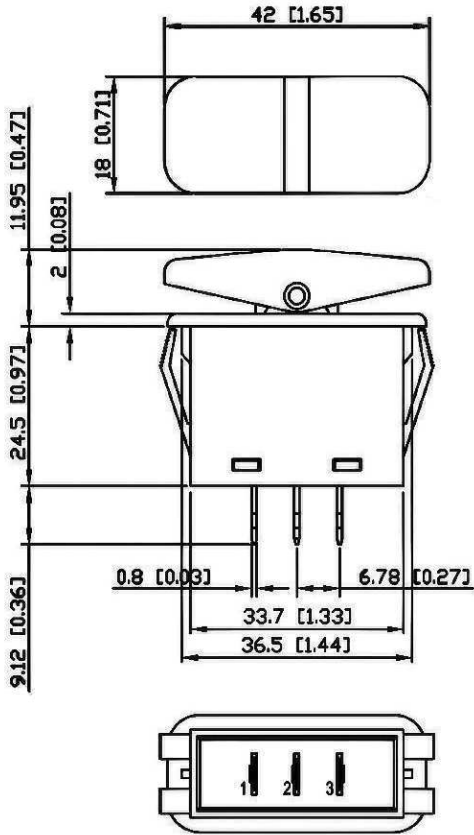
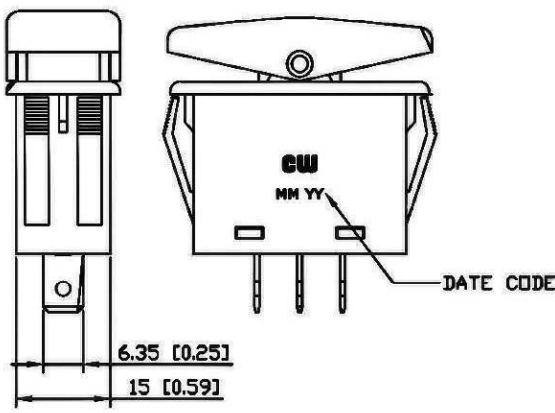


THIS INFORMATION IS CONFIDENTIAL AND PROPRIETARY TO CW INDUSTRIES INCORPORATED AND ITS AFFILIATES. IT MAY NOT BE DISCLOSED TO ANYONE, OTHER THAN CW INDUSTRIES PERSONNEL, WITHOUT WRITTEN AUTHORIZATION FROM CW INDUSTRIES INCORPORATED, SOUTHAMPTON, PENNSYLVANIA USA.

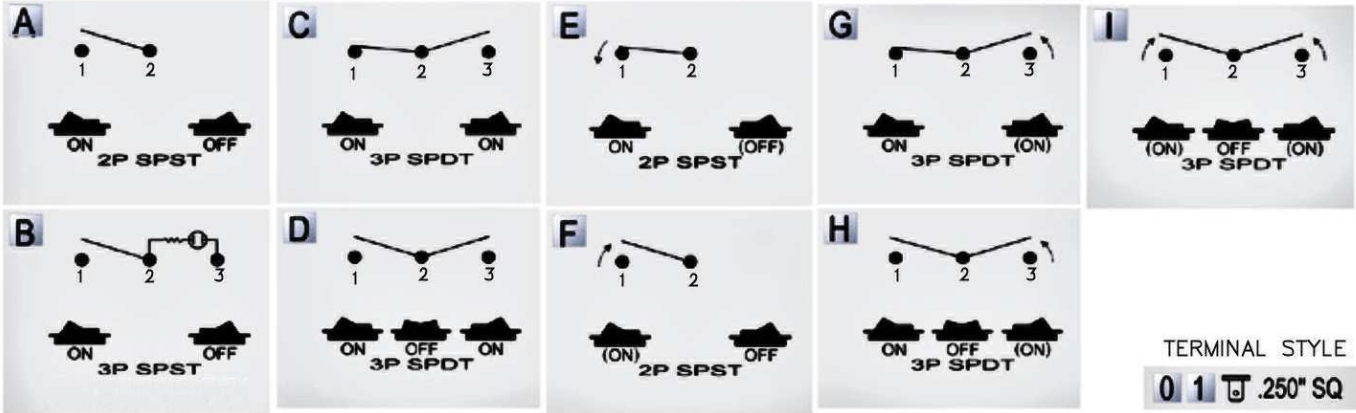
Rating	20A 125VAC 1/3HP 10A 250VAC 3/4HP (A,B,C,D) 20A 14VAC 10A 24VAC		Mounting Hole		Circuit Diagram
	20A 125VAC 3/4HP 10A 250VAC 3/4HP (E, F, G, H, I) 20A 14VAC 10A 24VAC 10(4)A 250-				
Contact Resistance	50m ohm Max.	Thickness		SEE CHART	
Insulation Resistance	DC 500V 100M ohm Min.	0.75~5mm	36.8 ^{+0.2}		15.3 ^{+0.2}
Dielectric Strength	AC 1500V 1 minute	0.03~0.2Inch	1.45 ^{+0.008}		.60 ^{+0.008}
Operation Temp.	- 20° C ~ 85° C				
Function	SEE CHART				



Frame: Black, Nylon # 66
Actuators: Black, Nylon # 66+33%GF
Terminals: Silver plated brass
 Illuminated actuators are PC, in Red, Amber or Green Colors
 Water proof and dust proof to fit IP-56



FUNCTION



TERMINAL STYLE
0 1 J .250" SQ

RoHS Compliant

() = Momentary Function

CW INDUSTRIES Southampton, Pa. 18966 Tel 215.355.7080/www.cwind.com	Date Drawn: 1/21/2011	Rev. 0	Unit: mm	Checked By: G.Guld
	Title: ROCKER SWITCH		CW P/N: GRB258XSERIES	