
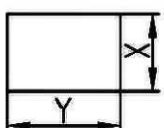
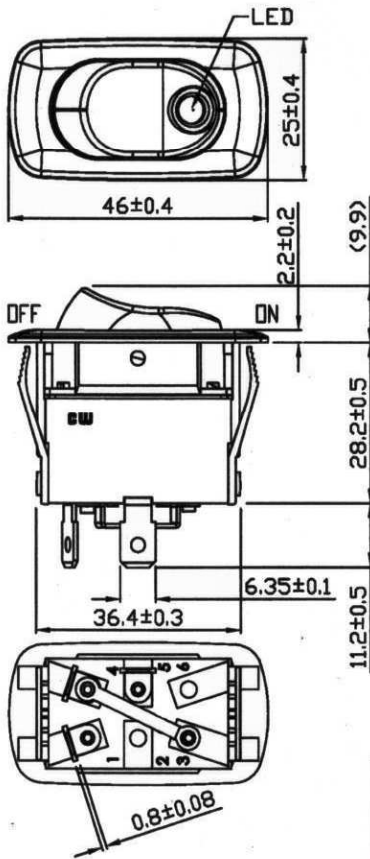
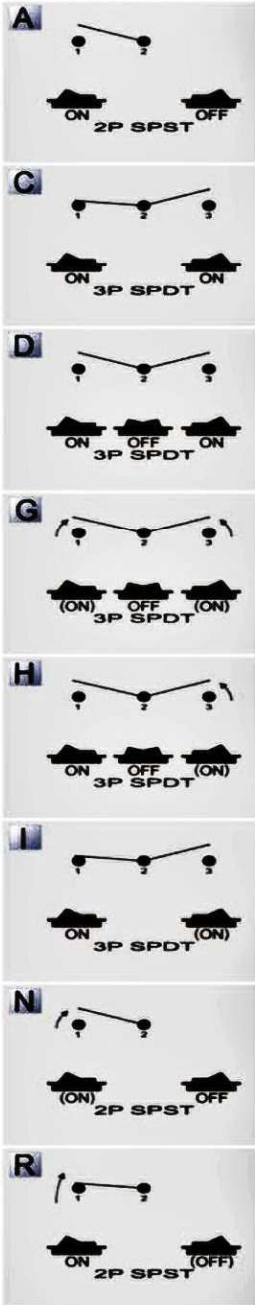


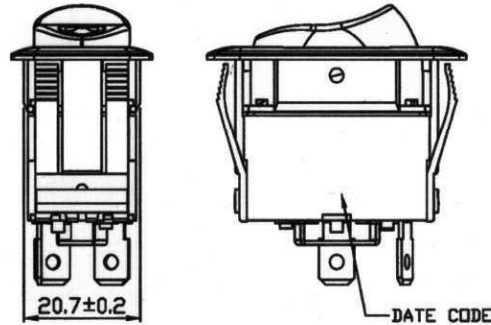
THIS INFORMATION IS CONFIDENTIAL AND PROPRIETARY TO CW INDUSTRIES INCORPORATED AND ITS AFFILIATES. IT MAY NOT BE DISCLOSED TO ANYONE, OTHER THAN CW INDUSTRIES PERSONNEL, WITHOUT WRITTEN AUTHORIZATION FROM CW INDUSTRIES INCORPORATED, SOUTHAMPTON, PENNSYLVANIA USA.

Rating	16A 125VAC, 10A 277VAC, 3/4HP 125/277VAC (A & C)		Mounting Hole	
	18A 125VAC, 10A 277VAC, 3/4HP 277VAC (D, G, H, I, N, & R)			
	21A 14V DC			
Contact Resistance	50m ohm Max.			
Insulation Resistance	DC 500V 100M ohm Min.			
Dielectric Strength	AC 1500V 1 minute			
Switch Function	SEE CHART			
Operation Temperature	-20°C~85°C	Thickness	X	Y
		0.75~1.25	21.2+0.1	36.6+0.1
		1.25~2	21.2+0.1	36.8+0.1
		2~3	21.2+0.1	37.0+0.1




Function



Frames are Black, nylon (UL flame: 94HB).
Actuators are Black, nylon with glass fiber (UL flame: 94HB).
Terminals are silver plated brass.



Rocker Options

- 1  AVAILABLE FOR FUNCTION A (ON-OFF)
- 2  DOUBLE POLE INAPPLICABLE
- 7  Laser mark

Terminal

- 0 1  .250" SQ
- 0 4  SAE SQ
- 0 5  SO
- 0 8  SC 6-32UNC

() = Momentary Function

RoHS Compliant

CW INDUSTRIES
Southampton, Pa. 18966
Tel 215.355.7080/www.cwind.com

Date Drawn: 1/19/2011

Rev. 0

Unit: mm

Checked By: G.GULD

Title: **ROCKER SWITCH**

CW P/N: **GRB263XXSERIES**