
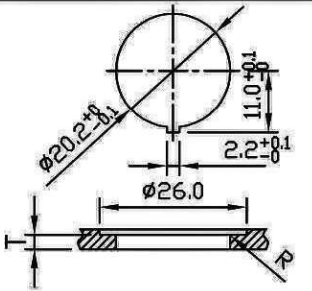
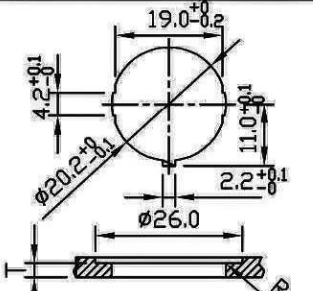
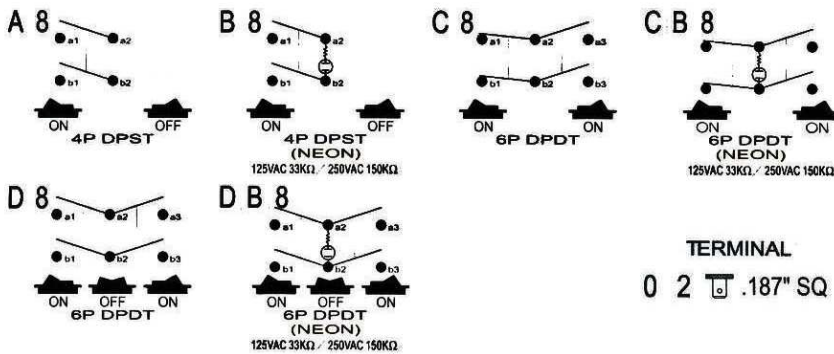
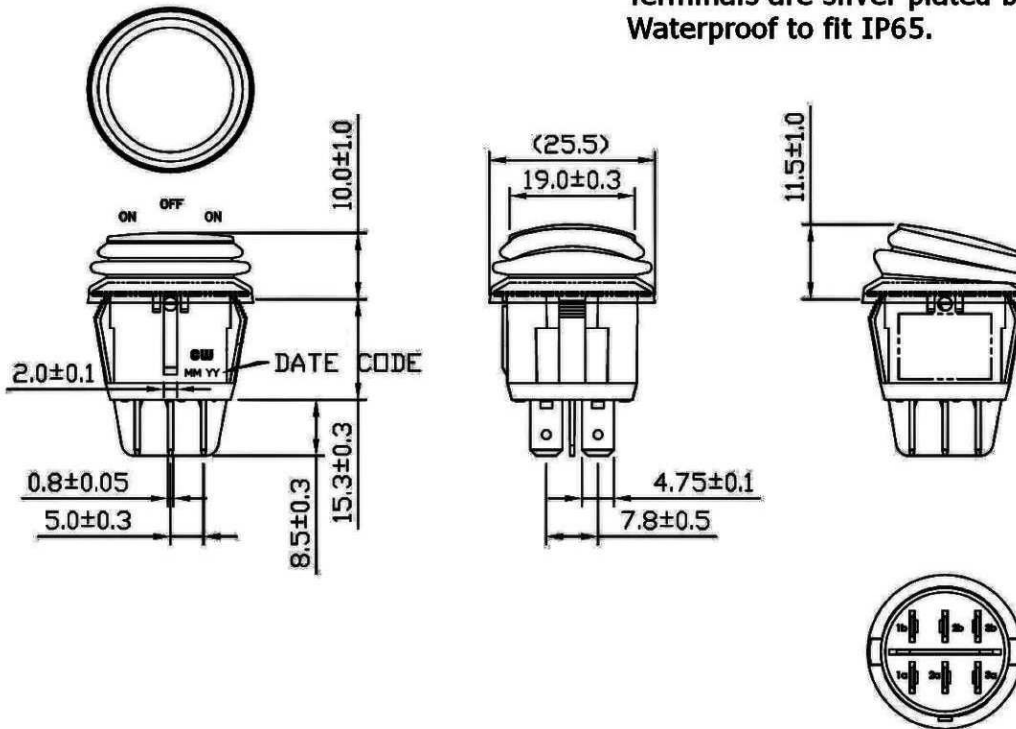


THIS INFORMATION IS CONFIDENTIAL AND PROPRIETARY TO CW INDUSTRIES INCORPORATED AND ITS AFFILIATES. IT MAY NOT BE DISCLOSED TO ANYONE, OTHER THAN CW INDUSTRIES PERSONNEL, WITHOUT WRITTEN AUTHORIZATION FROM CW INDUSTRIES INCORPORATED, SOUTHAMPTON, PENNSYLVANIA USA.

Rating	16A 125VAC 10A 250VAC		Mounting Hole	
	20A 14VDC			
Contact Resistance	50m ohm Max.			
Insulation Resistance	DC 500V 100M ohm Min.		Thickness: 1.5~2.5	
Dielectric Strength	AC 1500V 1 minute		Thickness: 0.7~2.5	
Operation Temperature	-25°C~85°C			
Switch Function	SEE CHART			

Frames are nylon (UL flame: 94V-2).
 Actuators are Black, PC (94V-2).
 Illuminated actuators are molded in PC, available in Red, Amber or Green colors.
 Waterproof Rubber: Black, Silicone.
 Terminals are silver plated brass.
 Waterproof to fit IP65.



TERMINAL
 0 2 □ .187" SQ

RoHS Compliant

CW INDUSTRIES
 Southampton, Pa. 18966
 Tel 215.355.7080/www.cwind.com

Date Drawn: 1/28/11

Rev. 0

Unit: mm

Checked By: G.Guld

Title: **ROCKER SWITCH**

CW P/N: **GRB244X8SERIES**