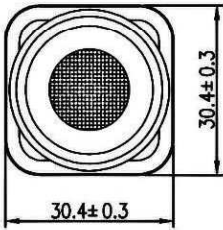
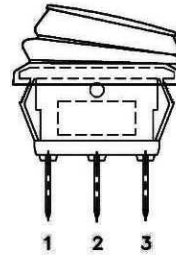
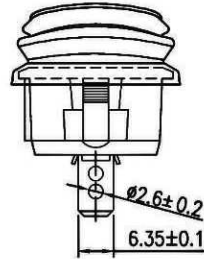
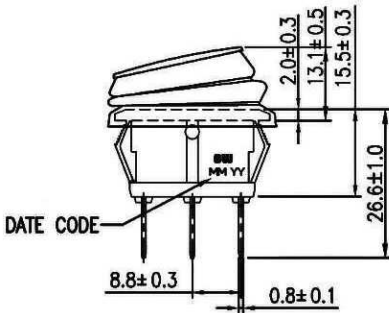


THIS INFORMATION IS CONFIDENTIAL AND PROPRIETARY TO CW INDUSTRIES INCORPORATED AND ITS AFFILIATES. IT MAY NOT BE DISCLOSED TO ANYONE, OTHER THAN CW INDUSTRIES PERSONNEL, WITHOUT WRITTEN AUTHORIZATION FROM CW INDUSTRIES INCORPORATED, SOUTHAMPTON, PENNSYLVANIA USA.

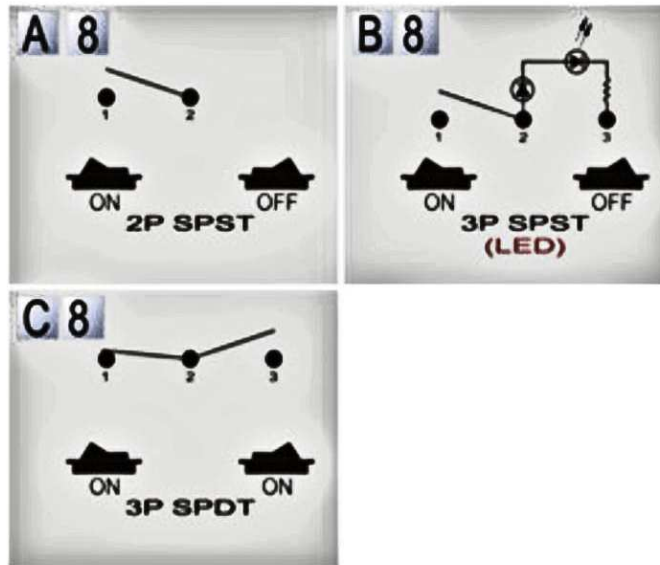
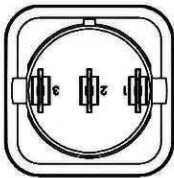
Rating	16A 125V AC 10A 250V AC	Mounting Hole	Circuit Diagram
Contact Resistance	50m ohm Max.		SEE CHART
Insulation Resistance	DC 500V 100M ohm Min.		
Dielectric Strength	AC 1500V 1 minute		
Operation Temperature	-25°C~85°C		
Switch Function	SEE CHART		



Frames are Nylon (UL flame: 94V-2).
 Actuator is Black, PC.
 Illuminated actuators are molded in PC, available in Red, Amber or Green Colors.
 Actuator Boot is waterproof rubber Black, Silicone.
 Terminals are Silver plated brass.
 Waterproof and dustproof to fit IP-65.



TERMINAL



RoHS Compliant

CW INDUSTRIES
 Southampton, Pa. 18966
 Tel 215.355.7080/www.cwind.com

Date Drawn: 1/28/11

Rev. 0

Unit: mm

Checked By: G.Guld

Title: **ROCKER SWITCH**

CW P/N: **GRB203X8SERIES**