
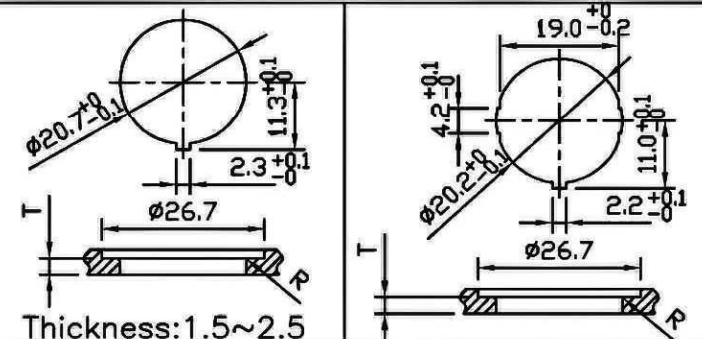
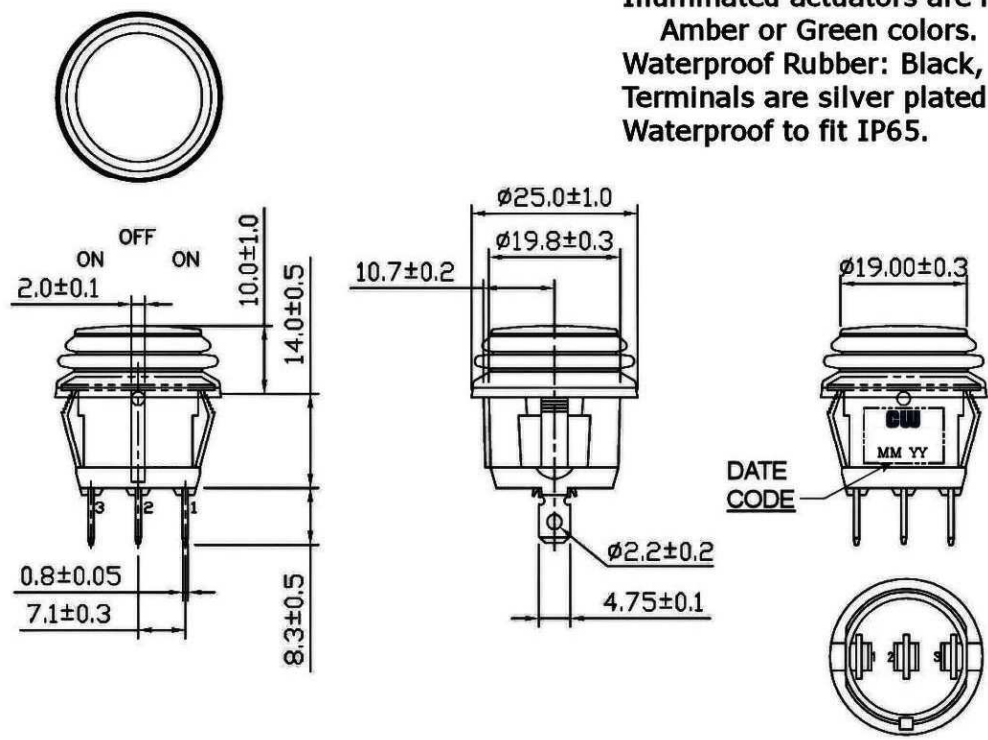


THIS INFORMATION IS CONFIDENTIAL AND PROPRIETARY TO CW INDUSTRIES INCORPORATED AND ITS AFFILIATES. IT MAY NOT BE DISCLOSED TO ANYONE, OTHER THAN CW INDUSTRIES PERSONNEL, WITHOUT WRITTEN AUTHORIZATION FROM CW INDUSTRIES INCORPORATED, SOUTHAMPTON, PENNSYLVANIA USA.

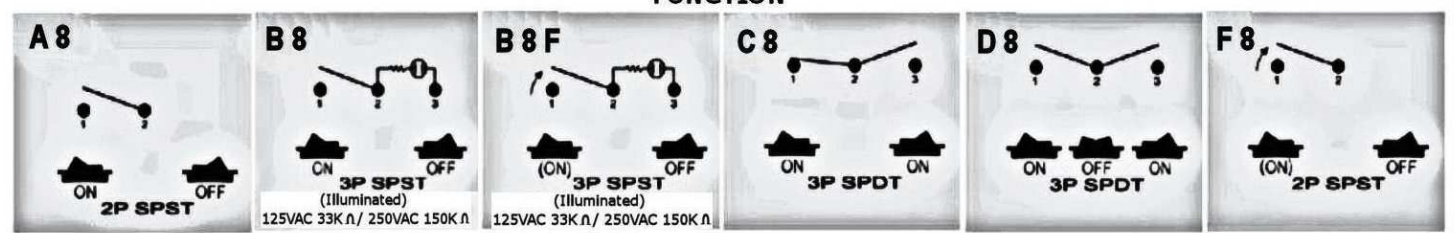
<b>Rating</b>	16A 125VAC, 10A 250VAC (A8, B8, C8) 	<b>Mounting Hole</b>
	16A 125VAC, 10A 250VAC (B8F, D8, F8)	
	20A 14VDC	
	10A 28VDC, 6A 14VT	
<b>Contact Resistance</b>	50m ohm Max.	
<b>Insulation Resistance</b>	DC 500V 100M ohm Min.	
<b>Dielectric Strength</b>	AC 1500V 1 minute	
<b>Operation Temp.</b>	-20°C ~ 85°C	
<b>Switch Function</b>	SEE CHART	

Frames are nylon (UL flame: 94V-2).  
 Actuators are Black, PC (94V-2).  
 Illuminated actuators are molded in PC, available in Red, Amber or Green colors.  
 Waterproof Rubber: Black, Silicone.  
 Terminals are silver plated brass.  
 Waterproof to fit IP65.



**TERMINAL**  
 0.2 □ .187" SQ

**FUNCTION**



( ) = Momentary Function

RoHS Compliant

<b>CW INDUSTRIES</b> Southampton, Pa. 18966 Tel 215.355.7080/www.cwind.com	Date Drawn:	Rev. 0	Unit: mm	Checked By: G.Guld
	Title: <b>ROCKER SWITCH</b>		CW P/N: <b>GRB112X8SERIES</b>	