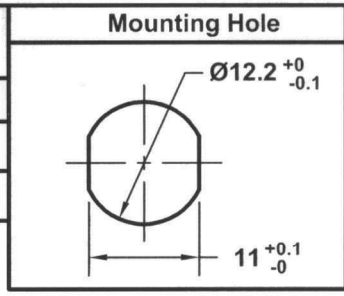


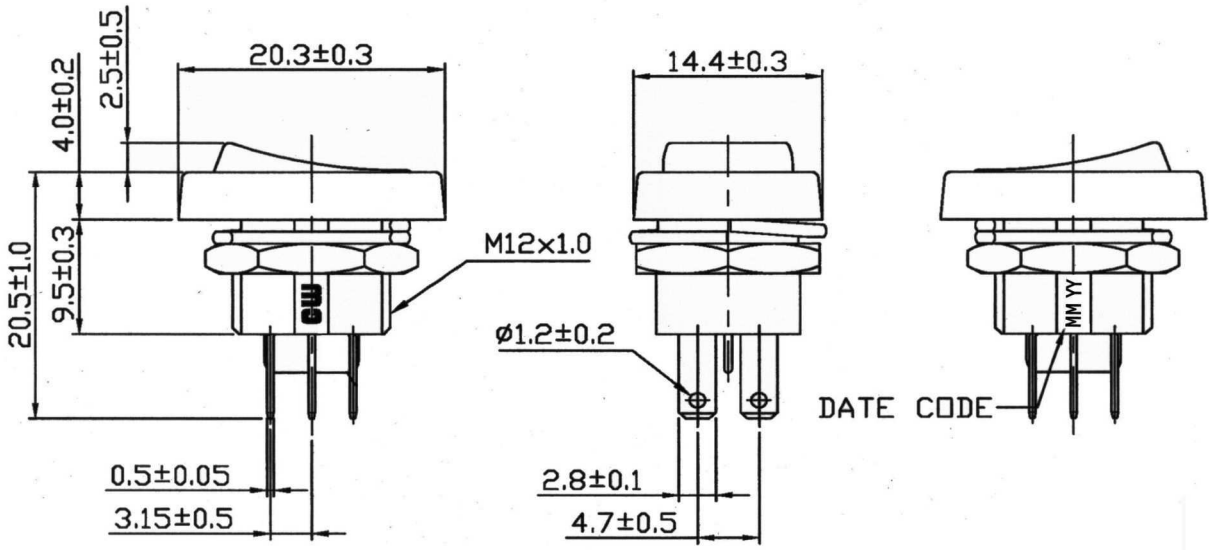
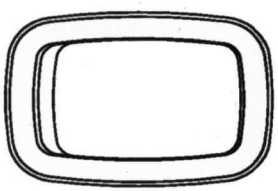
THIS INFORMATION IS CONFIDENTIAL AND PROPRIETARY TO CW INDUSTRIES INCORPORATED AND ITS AFFILIATES. IT MAY NOT BE DISCLOSED TO ANYONE, OTHER THAN CW INDUSTRIES PERSONNEL, WITHOUT WRITTEN AUTHORIZATION FROM CW INDUSTRIES INCORPORATED, SOUTHAMPTON, PENNSYLVANIA USA.

Rating	6A 125V, 3A 250V AC
Contact Resistance	50m ohm max.
Insulation Resistance	DC 500V 100M ohm min.
Dielectric Strength	AC 1000V 1 minute

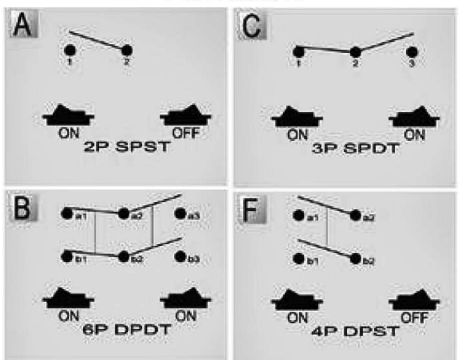


Cut-Out 6.0 mm thk. max.

Frames are nylon (UL flame: 94V-2).
 Terminals are silver plated brass.
 Optional button colors available.



Function



Terminal



RoHS Compliant

CW INDUSTRIES
 Southampton, Pa. 18966
 Tel 215.355.7080/www.cwind.com

Date Drawn: 2/08/11

Rev. 0

Unit: mm

Checked By: **G.GULD**

Title:
ROCKER SWITCH

CW P/N:
GRB213XSERIES