

THIS INFORMATION IS CONFIDENTIAL AND PROPRIETARY TO CW INDUSTRIES INCORPORATED AND ITS AFFILIATES. IT MAY NOT BE DISCLOSED TO ANYONE, OTHER THAN CW INDUSTRIES PERSONNEL, WITHOUT WRITTEN AUTHORIZATION FROM CW INDUSTRIES INCORPORATED, SOUTHAMPTON, PENNSYLVANIA USA.

E

D

C

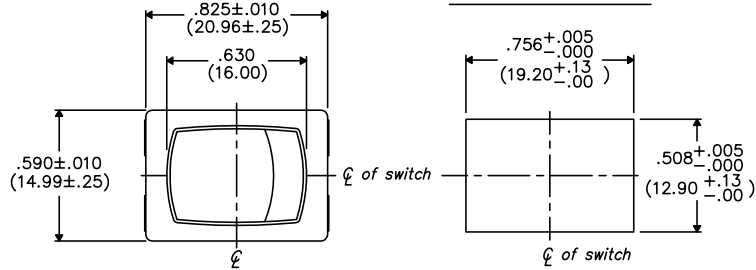
B

A

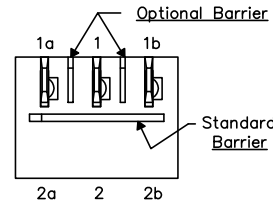
DIMENSIONS IN INCHES (MILLIMETERS)
DO NOT SCALE DRAWING

Dwg. No.
GRS-4012-XXXX

PANEL PIERCING



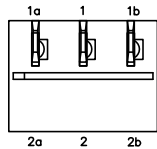
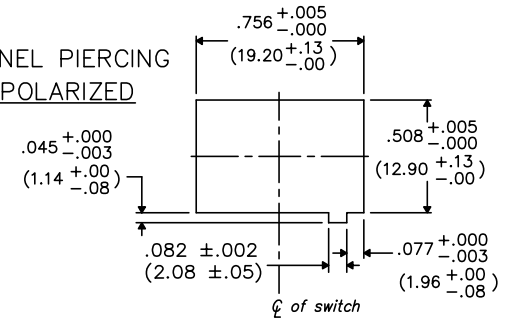
OPTIONAL INSULATING BARRIER



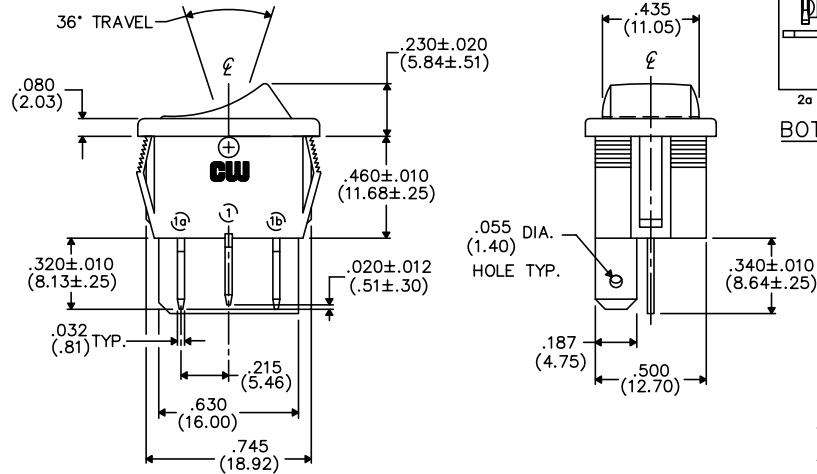
MOUNTING PANEL THICKNESS

Standard—.050" (1.27mm) to .150" (3.81mm).
Optional Mounting Claws for Custom Panel thickness are available.

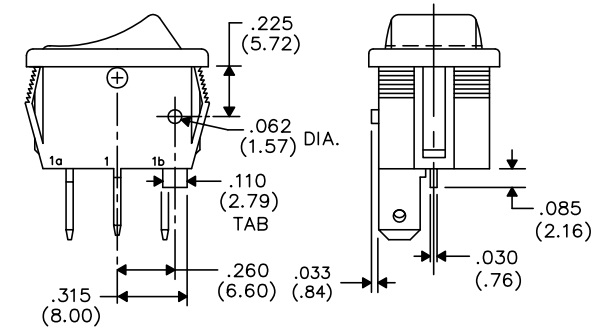
PANEL PIERCING POLARIZED



BOTTOM VIEW



- TERMINAL OPTIONS:**
- .187" (4.75mm) x .032" (.81mm) Solderless
 - .110" (2.79mm) x .032" (.81mm) Solderless
 - .187" (4.75mm) x .020" (.51mm) Solderless
 - .110" (2.79mm) wide with .048" (1.22mm) x .237" (6.02mm) Slot for Soldering



TAB AND POLARIZATION OPTIONS

1 2 3 4 5 6 7 8 9 10

B-FORMAT 2002

REVISIONS

CW INDUSTRIES
Southampton, Pa. 18966

Title: **ROCKER SWITCH ASSEMBLY S.P./D.T.**

TOLERANCES UNLESS OTHERWISE SPECIFIED.
2 Place Decimal ±.010 METRIC
3 Place Decimal ±.005 1 Place Dec. ±.25mm
Angles ±1° 2 Place Dec. ±.13mm

Made for: **CW IND.**
Drawn by: **DGW 10-28-2010**
Checked by:
Approval:

Division: **SWITCH**
Dwg. No. **GRS-4012-XXXX**