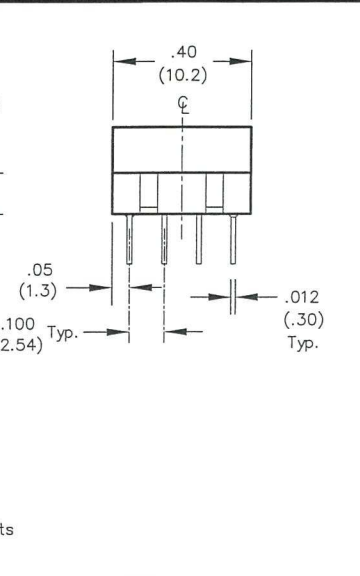
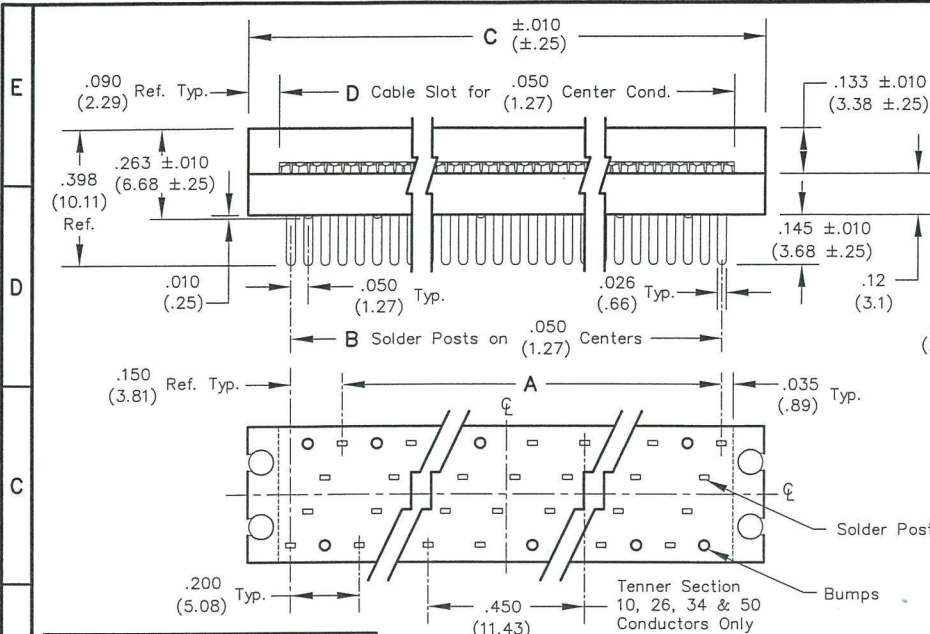


DIMENSIONS IN INCHES (MILLIMETERS)
DO NOT SCALE DRAWING

Dwg. No.
CWR-142-XX-0203



NOTES:

1. Dimensions are in inches; dimensions in () are in millimeters.
2. Metric equivalents are given for general information only, and are based upon 1.00 inches equals (25.4) millimeters.
3. Unless otherwise specified, tolerance are $\pm .005$ ($\pm .13$) for three place decimals, and $\pm .01$ ($\pm .3$) for two place decimals.

MATERIALS:

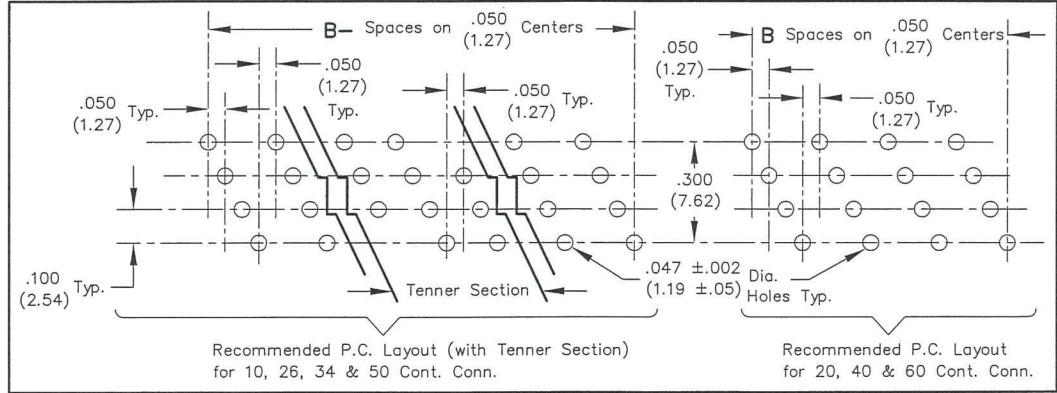
PLASTIC PARTS - UL94V-0 Thermoplastic (blue, standard) flame retardant.
CONTACTS - Phosphor bronze, standard;
CONTACT PLATING- .000100 Tin over .000050 Nickel, Std.

OPERATING STANDARDS:

TEMPERATURE RATING - 120°C.
CONTACT RATING - 1 Ampere.
DIELECTRIC STRENGTH - Over 500 V.D.C. AT SEA LEVEL.
CONDUCTORS ACCEPTED - 28-30 AWG solid or stranded.

CONNECTOR DIMENSIONS				
No. Conds. -XX	A	B	C	D
10	—	.450 (11.43)	.700 (17.78)	.520 (13.21)
20	.800 (20.32)	.950 (24.13)	1.200 (30.48)	1.020 (25.91)
26	1.100 (27.94)	1.250 (31.75)	1.500 (38.10)	1.320 (33.53)
34	1.500 (38.10)	1.650 (41.91)	1.900 (48.26)	1.720 (43.69)
40	1.800 (45.72)	1.950 (49.53)	2.200 (55.88)	2.020 (51.31)
50	2.300 (58.42)	2.450 (62.23)	2.700 (68.58)	2.520 (64.01)
60	2.800 (71.12)	2.950 (74.93)	3.200 (81.28)	3.020 (76.71)

CUSTOMER DRAWING



1 2 3 4 5 6 7 8 9 10

FORM-B3
REVISIONS
0
RELEASED: 9-18-2006
DWG SEP 20 2006

ATTENTION
THIS DRAWING AND ITS ATTACHMENTS, IF ANY, ARE PROPRIETARY TO CW INDUSTRIES AND DESCRIBE DESIGNS THAT ARE CONFIDENTIAL AND MUST NOT BE DISCLOSED UNLESS AUTHORIZED, IN WRITING, BY AN OFFICER OF CW INDUSTRIES.....

cw INDUSTRIES
Southampton, Pa. 18966
TOLERANCES UNLESS OTHERWISE SPECIFIED
2 Place Decimal $\pm .010$ METRIC
3 Place Decimal $\pm .005$ 1 Place Dec. $\pm .25$ mm
Angles $\pm 1'$ 2 Place Dec. $\pm .13$ mm
Made for: CW IND.
Drawn by: DGW 9-18-2006
Checked by: G. Gold 9-19-06
Approval: *[Signature]* 9-19-06

Title: P.C.B. CONNECTOR
.145" SOLDER POSTS W/O S/R & COVER LIPS
Division: CONNECTOR
Dwg. No. CWR-142-XX-0203

MASTER