

# SMD Monolithic Crystal Filters

## DSF753S 4POLE (SDF TYPE)

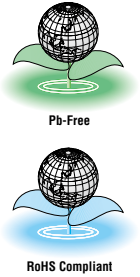


### Features

- 7.0×5.0×1.3mm, lightweight (0.15g) and miniature SMD crystal filter.
- 4 pole function in a single package.
- Excellent guaranteed attenuation.
- Excellent shock and vibration resistance.

### Applications

- Radio communications



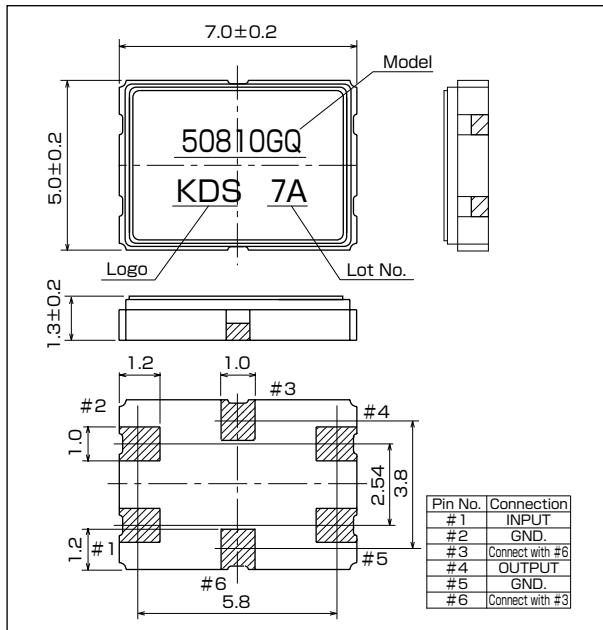
Actual size

### Standard Specification

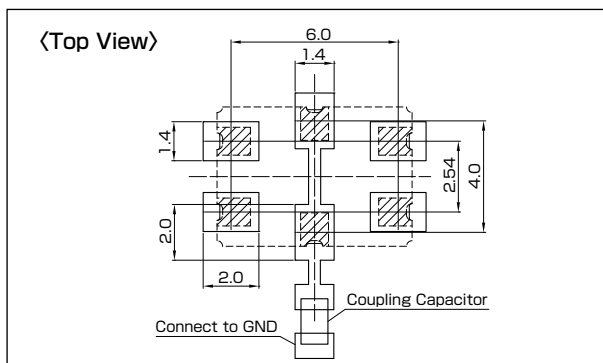
Type	DSF753SDF				
Model	D21406GQ	D45015GQ	D46307GQ	D50810GQ	D73312GQ
Pole	4	4	4	4	4
Overtone Order	Fundamental	Fundamental	Fundamental	Fundamental	Fundamental
Nominal Frequency	21.400 MHz	45.000 MHz	46.350 MHz	50.850 MHz	73.350 MHz
Pass Bandwidth	±3.0kHz min./3dB	±7.5kHz min./3dB	±3.5kHz min./3dB	±5kHz min./3dB	±6kHz min./3dB
Stop Bandwidth	±6.25kHz max./18dB	±25kHz max./30dB	±18kHz max./40dB	±20kHz max./40dB	±25kHz max./40dB
Ripple	1dB max.	1dB max.	1dB max.	1dB max.	1dB max.
Insertion Loss	6dB max.	4dB max.	5dB max.	5dB max.	5dB max.
Guaranteed Attenuation	80dB min.	80dB min.	80dB min.	80dB min.	80dB min.
Terminating Impedance	910Ω//4pF Cc=14.5pF	570Ω//3pF Cc=11pF	200Ω//5pF Cc=23pF	560Ω//4pF Cc=9.7pF	450Ω//4pF Cc=9.2pF
Operating Temperature Range	-20~+70°C				
Packing Unit	1000pcs./reel(φ 180)				

Consult our sales representative for other specifications.

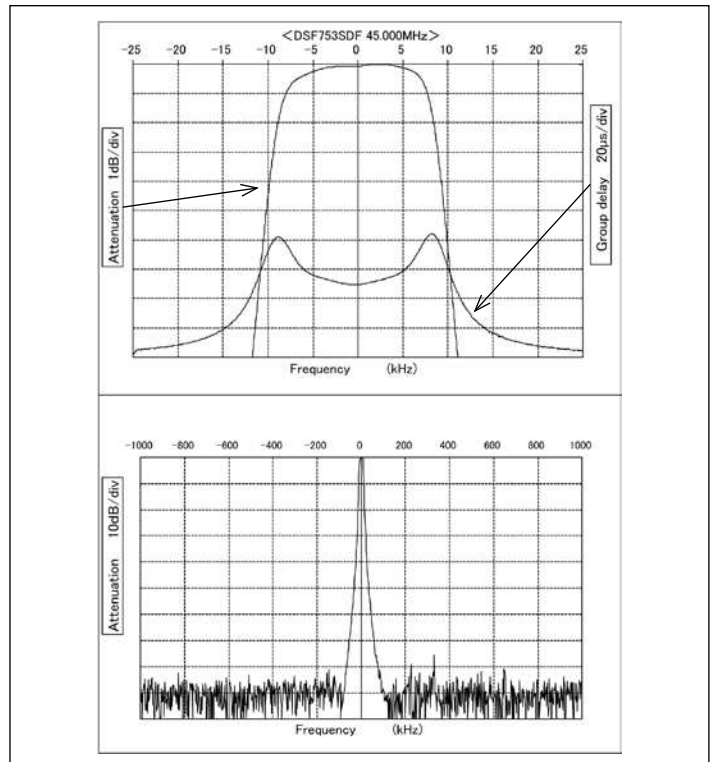
### Dimensions[mm]



### Recommended Land Pattern [mm]



### Characteristics Chart (fo=45MHz, P=±7.5kHz)



### Measurement Circuit

