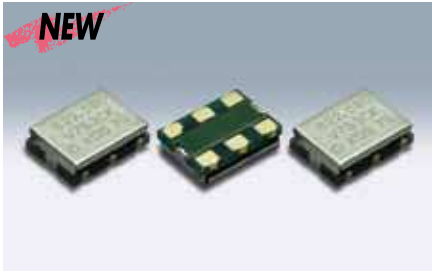


SMD Voltage Controlled Crystal Oscillators

DSV753C SERIES



Actual size

■ Features

- Available with two types of output functions: LV-PECL, and LVDS
- Differential output (LV-PECL, LVDS)
- Low jitter
- Available up to 700MHz by using AT cut fundamental resonator.

■ Applications

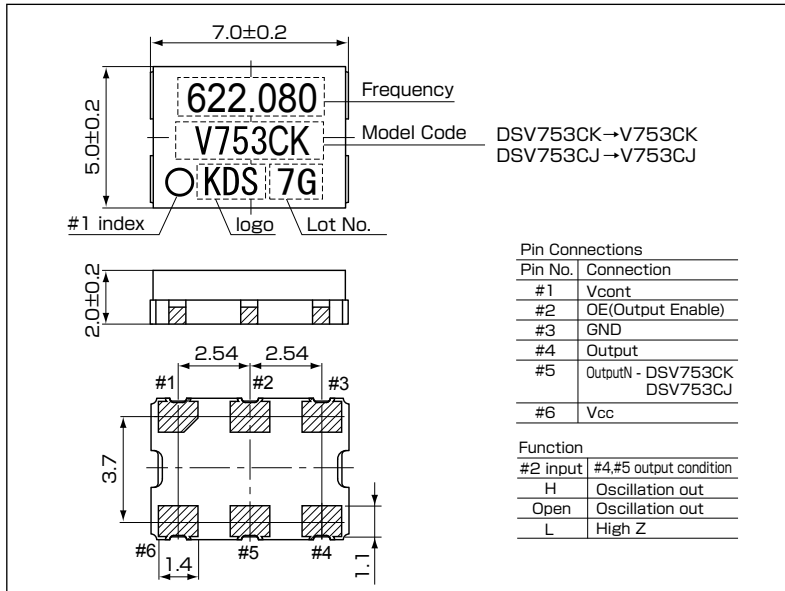
- Optical transmission device, radio transmitter-receiver equipment, digital image devices, and HDTV related equipment.

■ Standard Specification

Item	Type	Legend	DSV753CK	DSV753CJ
Output Specification	—		LV-PECL	LVDS
Output Frequency Range	f _o		350~700MHz	
Supply Voltage	V _{cc}		+3.3±0.165V	
Frequency Control Voltage	V _{cont}		+1.65±1.65V	
Storage Temperature Range	T _{stg}		-40~+85°C	
Operating Temperature Range	T _{use}		-20~+70°C	
Frequency Tolerance (Includes frequency tolerance at room temperature.)	f _{tol}		±50×10 ⁻⁶ max.	
Frequency Adjustment Range	f _{cont}		±100×10 ⁻⁶ min. Positive Slope	
Current Consumption	I _{cc}		80mA max.	60mA max.
Output Load	Load		50Ω to V _{cc} -2V	100Ω(Output-OutputN)
Symmetry	SYM		45~55%[at outputs cross point]	
0 Level Output Voltage	V _{oL}		2.155~2.405V	—
1 Level Output Voltage	V _{oH}		1.355~1.700V	—
Rise and Fall Time	tr, tf		0.4ns max.[20~80% Output,OutputN]	0.4ns max.[20~80% Output-OutputN]
Differential Output Voltage	V _{oD1} , V _{oD2}		—	0.247~0.454V
Change to V _{od}	ΔV _{od}		—	50mV[ΔV _{od} = V _{oD1} -V _{oD2}]
Offset Voltage	V _{os}		—	1.125~1.375V
Offset to V _{os}	ΔV _{os}		—	100mV
Phase Jitter	tpj		1ps max. (fo offset: 12kHz~20MHz)	
Packing Unit			100pcs. / reel or 500pcs. / reel(φ180)	

Consult our sales representative for other specifications.

■ Dimensions



■ Recommended Land Pattern [mm]

