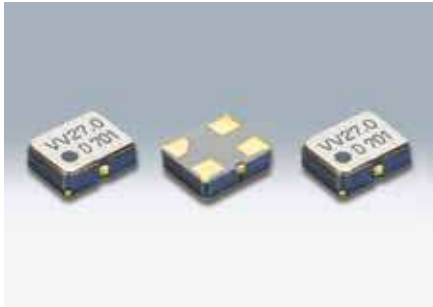


SMD Voltage Controlled Crystal Oscillators

DSV211AV/DSV211AR



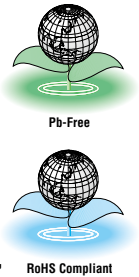
Actual size □

■ Features

- 2016size, 0.72mm high. Ultra miniature SMD-VCXO
- The product is an analog VCXO which ensures good variable frequency and a linear changing frequency
- Low current consumption

■ Applications

- Tuner modules for terrestrial digital media broadcasting, Media Player, PND
- DVD, Digital TV, STB
- Camera modules



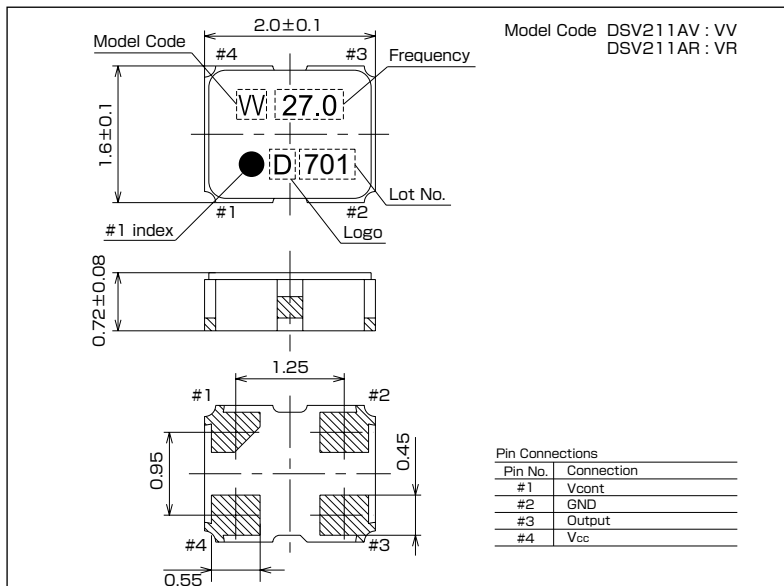
■ Standard Specification

Item	Type	Legend	DSV211AV		DSV211AR
Output Frequency Range	fo		19.2~80MHz	12MHz, 19.2~80MHz	19.2~30MHz, 38.4~60MHz
Supply Voltage	Vcc		+2.8±0.28V	+3.3±0.33V	+1.8±0.18V
Frequency Control Voltage	Vcont		+1.4±1.4V	+1.65±1.65V	+0.9±0.9V
Storage Temperature Range	T_stg		-40~+85°C		
Operating Temperature Range	T_use		-10~70°C / -30~+85°C		
Frequency Tolerance (Includes frequency tolerance at room temperature.)	f_tol		±40×10 ⁻⁶ max.		
Frequency Adjustment Range	f_cont		±100×10 ⁻⁶ min. [Positive Slope]		±80×10 ⁻⁶ min. [Positive Slope]
Current Consumption	Icc		9.4mA max. [No Load]	13.6mA max. [No Load]	2.9mA max. [No Load]
Load Condition	L_cmos		15pF		
Symmetry	SYM		45~55% [50% Vcc Level]		
0 Level Output Voltage	VoL		Vcc×0.1 max.		
1 Level Output Voltage	VoH		Vcc×0.9 min.		
Rise and Fall Time	tr, tf		10ns max. [10~90% Vcc Level]		
Period Jitter (1)	tRMS		2.5ps typ. (σ)		3.2ps typ. (σ)
	tp-p		23ps typ. (Peak to peak)		29ps typ. (Peak to peak)
Total Jitter (1)	tTL		35ps typ. [tDJ + n*tRJ n=14.1 (BER=1 * 10 ⁻¹²)(2)]		45ps typ. [tDJ + n*tRJ n=14.1 (BER=1 * 10 ⁻¹²)(2)]
Phase Jitter	tpj		1 ps max. (fo offset: 12kHz~5MHz)		1.5ps max. (fo offset: 12kHz~5MHz)
Packing Unit	-		2000pcs./reel(φ180)		

(1) Measured WAVECREST DTS-2075
 (2) tDJ: Deterministic jitter tRJ: Random jitter

Consult our sales representative for other specifications.

■ Dimensions [mm]



■ Recommended Land Pattern [mm]

