

SMD Crystal Resonators / MHz Band Crystal Resonators (For Automotive)

DSX321G/DSX320G/DSX320GE



DSX321G

DSX320G



DSX320GE

Actual size

■ Features

- Miniature and lightweight SMD crystal resonator height DSX321G (over 12MHz): 0.75mm
DSX321G (under 12MHz): 0.85mm
DSX320G (over 12MHz): 0.85mm
DSX320G (under 12MHz): 0.95mm
DSX320GE: 0.95mm
- Excellent heat resistance, High precision and high reliability
- Offers a wide frequency range from 7.9MHz to 64MHz(DSX321G/320G)
- Enhanced durability of solder parts for thermal cycles : after 3000 thermal cycle tests $-40, +125^{\circ}\text{C}$ (DSX320G/DSX320GE)
- AEC-Q200 Compliant
- It is possible to correspond to complete lead free.

■ Applications

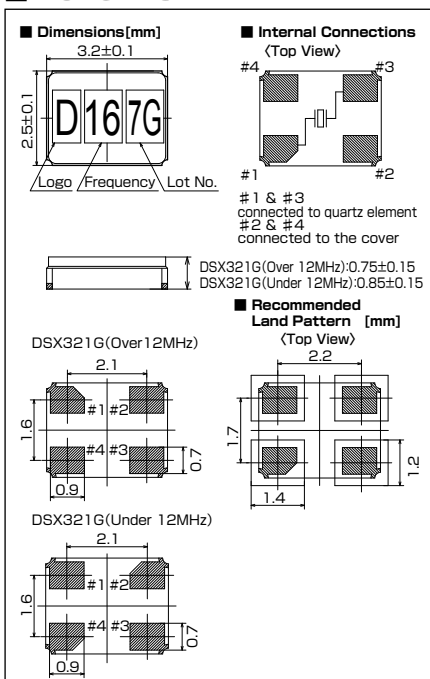
- Multimedia devices such as car navigation systems and car audio, safety control, TPMS, keyless entry(DSX321G)
- ECU (engine, body work control), safety relations, car body control, ABS, EPS(DSX320G/DSX320GE)

■ Standard Specification

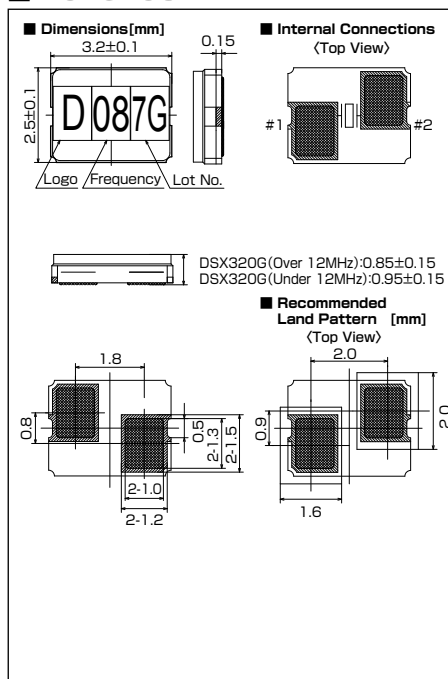
| Item | Type | DSX321G/DSX320G/DSX320GE | | | | |
|--|------|--|-------------------|-------------------|-------------------|-------------------|
| | | 7.9~9.8MHz | 9.8~11MHz | 11~12MHz | 12~27MHz | 27~64MHz |
| Frequency Range | | 7.9~9.8MHz | 9.8~11MHz | 11~12MHz | 12~27MHz | 27~64MHz |
| Overtone Order | | Fundamental | | | | |
| Load Capacitance | | Series, 8pF, 10pF, 12pF | | | | |
| Drive Level | | 10 μW (200 μW max.) | | | | |
| Frequency Tolerance | | $\pm 30 \times 10^{-6}, \pm 50 \times 10^{-6}, \pm 100 \times 10^{-6}$ (at 25 $^{\circ}\text{C}$) | | | | |
| Series Resistance | | 400 Ω max. | 200 Ω max. | 150 Ω max. | 120 Ω max. | 100 Ω max. |
| Frequency Characteristics over Temperature | | $\pm 50 \times 10^{-6} / -40 \sim +85^{\circ}\text{C}$ (Ref. to 25 $^{\circ}\text{C}$) | | | | |
| | | $\pm 100 \times 10^{-6} / -40 \sim +125^{\circ}\text{C}$ (Ref. to 25 $^{\circ}\text{C}$) | | | | |
| | | $\pm 200 \times 10^{-6} / -40 \sim +150^{\circ}\text{C}$ (Ref. to 25 $^{\circ}\text{C}$) | | | | |
| Storage Temperature Range | | $-40 \sim +150^{\circ}\text{C}$ | | | | |
| Reliability | | AEC-Q200 | | | | |
| Packing Unit | | 3000pcs./reel($\phi 180$) | | | | |
| Standard Specification | | Refer to page 33 | | | | |

Consult our sales representative for other specifications.

■ DSX321G



■ DSX320G



■ DSX320GE

