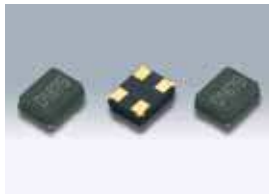
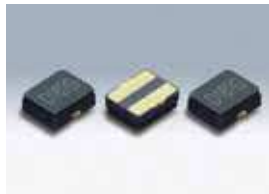


SMD Crystal Resonators / MHz Band Crystal Resonators (For Automotive)

DSX221G/DSX220G



DSX221G



DSX220G

Actual size

Features

- Miniature and lightweight SMD crystal resonator (height DSX221G 0.75mm / DSX220G 0.85mm)
- Excellent heat resistance, High precision and high reliability
- Offers a wide frequency range from 12MHz to 64MHz
- Enhanced durability of solder parts for thermal cycles : after 3000 Thermal cycle tests "-40, +85°C"(DSX220G)
- AEC-Q200 Compliant

Applications

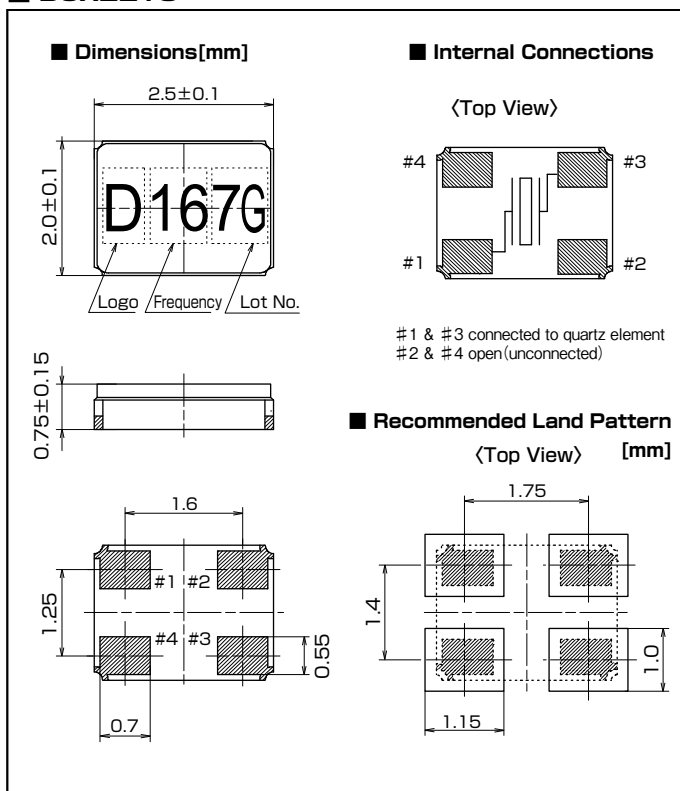
- Automotive radio applications such as bluetooth, wireless LAN, GPS.
- RKE(Remote Keyless Entry), safety control and multimedia device

Standard Specification

Item	Type	DSX221G				
		DSX220G				
Frequency Range		12~13MHz	13~16MHz	16~20MHz	20~27MHz	27~64MHz
Overtone Order		Fundamental				
Load Capacitance		Series, 8pF, 10pF, 12pF				
Drive Level		10μW (200μW max.)				
Frequency Tolerance		±30×10 ⁻⁶ , ±50×10 ⁻⁶ , ±100×10 ⁻⁶ (at 25°C)				
Series Resistance		300Ω max.	200Ω max.	150Ω max.	120Ω max.	100Ω max.
Frequency Characteristics over Temperature		±50×10 ⁻⁶ /-40~+85°C (Ref. to 25°C)				
		±100×10 ⁻⁶ /-40~+125°C (Ref. to 25°C)				
		±200×10 ⁻⁶ /-40~+150°C (Ref. to 25°C)				
Storage Temperature Range		-40~150°C				
Reliability		AEC-Q200				
Packing Unit		3000pcs./reel(φ180)				
Standard Specification		Refer to page 32				

Consult our sales representative for other specifications.

DSX221G



DSX220G

