

SMD Crystal Resonators / MHz Band Crystal Resonators

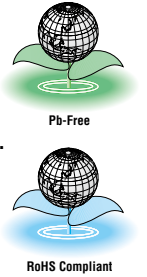
SMD-49



Actual size

■ Features

- A surface mount version of the AT-49.
- High reliability by a hermetically sealed metal package.
- Correspond to automatic mounting and reflow soldering.
- AEC-Q200 Compliant

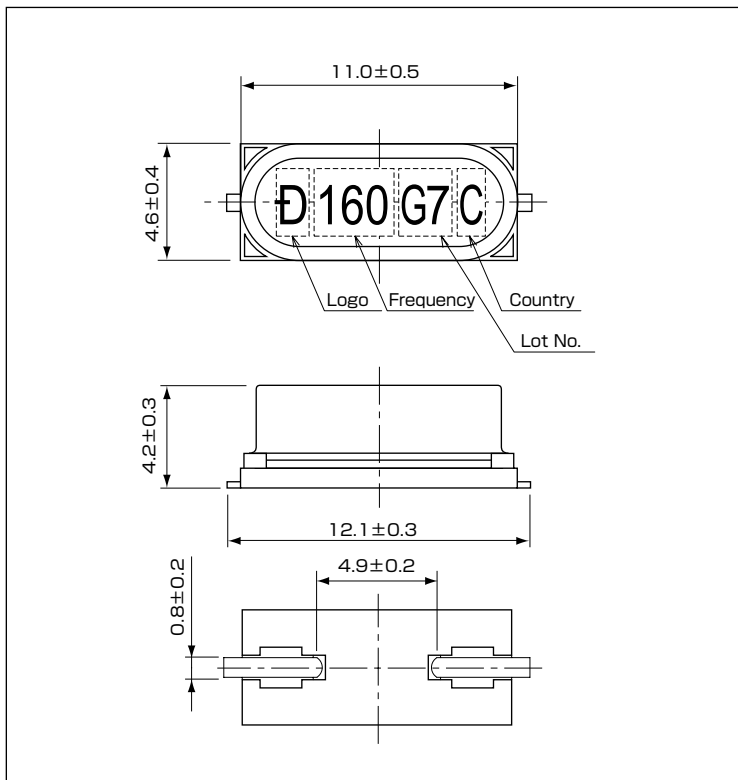


■ Standard Specification

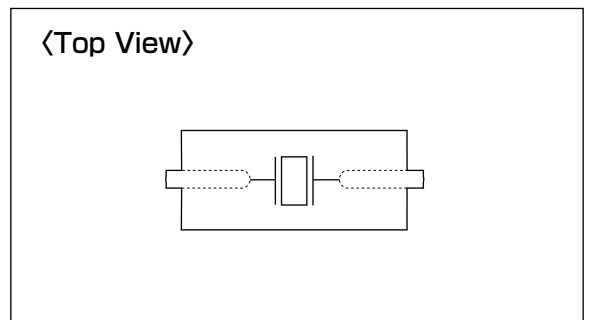
Item	Type	SMD-49	
Frequency Range		3.072 ~ 33.9MHz	26 ~ 70MHz
Overtone Order		Fundamental	3rd overtone
Load Capacitance		Series, 8pF, 10pF, 12pF	
Drive Level		10μW (300μW max.)	50μW (1mW max.)
Frequency Tolerance		±50×10 ⁻⁶ , ±100×10 ⁻⁶ (at 25°C)	
Series Resistance		40 ~ 300Ω max.	
Frequency Characteristics over Temperature		±50×10 ⁻⁶ / -10 ~ +60°C	
		±100×10 ⁻⁶ / -30 ~ +80°C	
Storage Temperature Range		-40 ~ +85°C	
Packing Unit		1000pcs./reel (φ330)	
Standard Specification		Refer to page 36	

Consult our sales representative for automotive and other specifications.

■ Dimensions[mm]



■ Internal Connections



■ Recommended Land Pattern [mm]

