

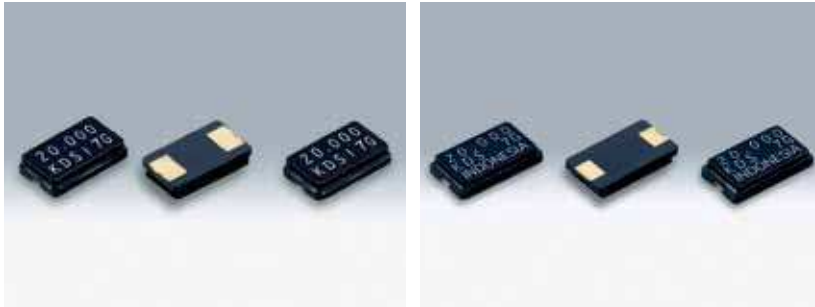
# SMD Crystal Resonators / MHz Band Crystal Resonators

## DSX630G/DSX840GA



### ■ Features

- 6035 size miniature SMD crystal resonator with a low profile of 1.2mm(DSX630G)
- 8045 size miniature SMD crystal resonator with a low profile of 1.4mm(DSX840GA).
- Excellent heat resistance, high precision, and high reliability.
- Suitable for digital AV equipment as well as many other applications.



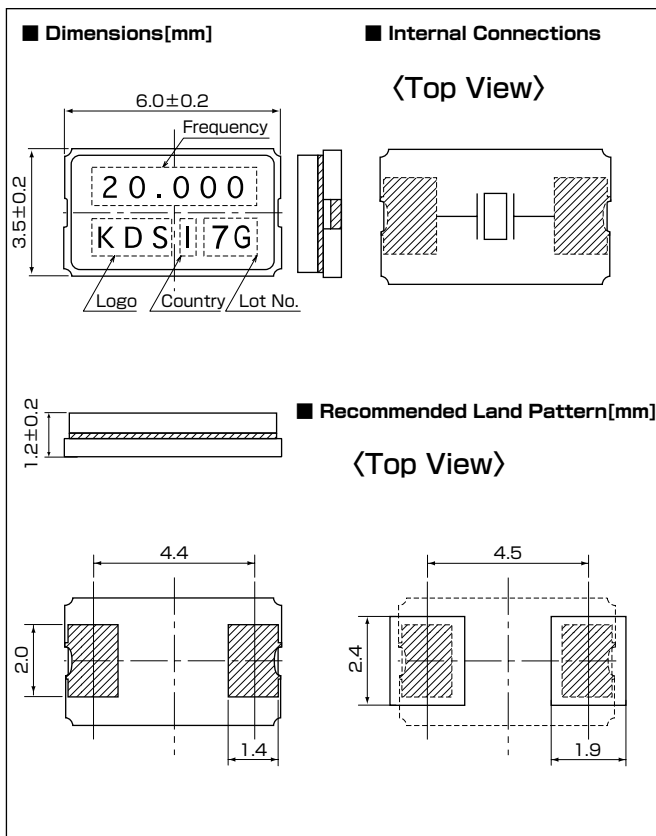
DSX630G Actual size DSX840GA Actual size

### ■ Standard Specification

Item	Type	DSX630G, DSX840GA			
		8 ~ 10MHz	10 ~ 12MHz	12 ~ 50MHz	40 ~ 80MHz
Frequency Range		8 ~ 10MHz	10 ~ 12MHz	12 ~ 50MHz	40 ~ 80MHz
Overtone Order		Fundamental			3rd overtone
Load Capacitance		Series, 8pF, 10pF, 12pF			Series
Drive Level		10μW (300μW max.)			10μW (500μW max.)
Frequency Tolerance		±30×10 <sup>-6</sup> , ±50×10 <sup>-6</sup> , ±100×10 <sup>-6</sup> (at 25°C)			
Series Resistance		150Ω max.	80Ω max.	50Ω max.	70Ω max.
Frequency Characteristics over Temperature		±30×10 <sup>-6</sup> / -10 ~ +60°C (Ref. to 25°C)			
		±50×10 <sup>-6</sup> / -20 ~ +70°C (Ref. to 25°C)			
		±100×10 <sup>-6</sup> / -30 ~ +85°C (Ref. to 25°C)			
Storage Temperature Range		-40 ~ +85°C			
Packing Unit		1000pcs./reel (φ180:DSX630G, φ250:DSX840GA)			
Standard Specification		Refer to page 34, 35			

Consult our sales representative for other specifications.

### ■ DSX630G



### ■ DSX840GA

