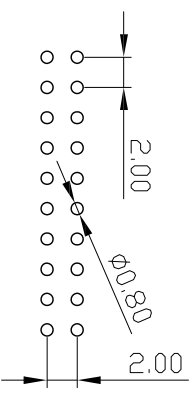
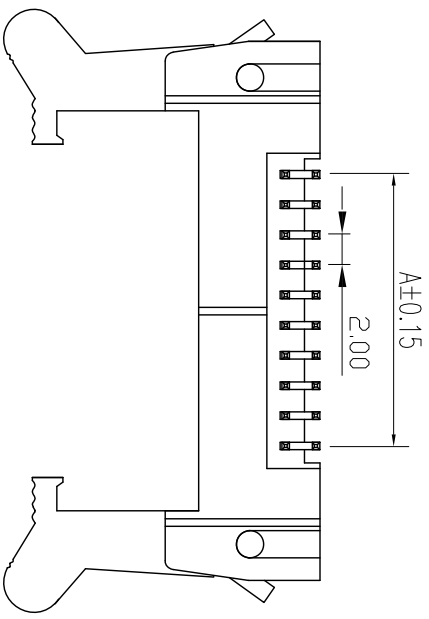
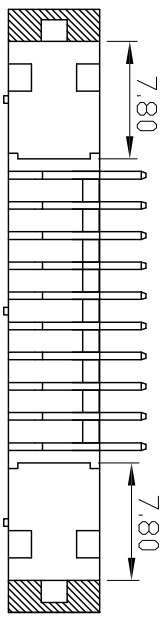
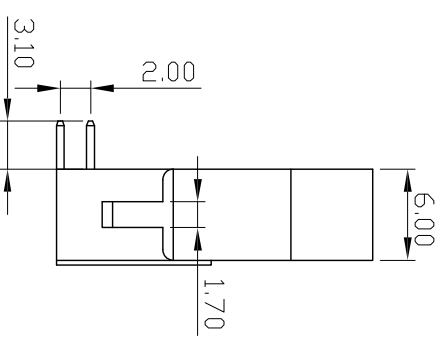
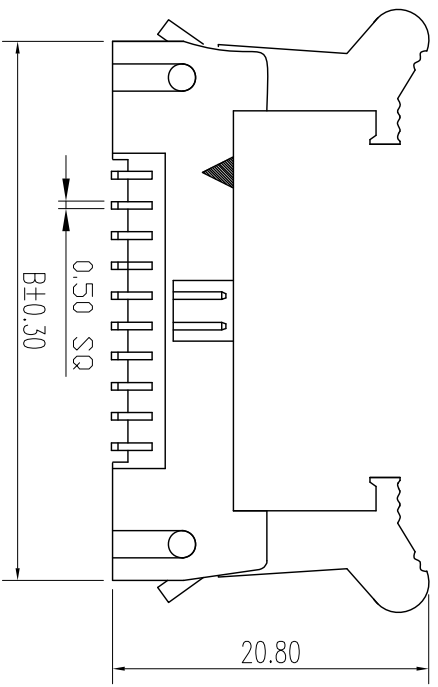


REV.	DESCRIPTION	DATE
A	RELEASE	2012.11.12

NOTES:
 Insulator Material: PBT, UL 94V-0
 Contact Plating: Flash Gold
 Contact Material: Brass

Current Rating : 1A AC,DC
 Contact Resistance: 20MΩ Max.
 Dielectric Withstanding: AC 500V
 Insulator Resistance: 1000MΩ Min.
 Operating Temp.: -40°C~+105°C



NUMBER OF POSITIONS	DIMENSION	
	A	B
06	4.00	21.60
08	6.00	23.60
10	8.00	25.60
14	12.00	29.60
16	14.00	31.60
20	18.00	35.60
24	22.00	39.60
26	24.00	41.60
30	28.00	45.60
34	32.00	49.60
40	38.00	55.60
44	42.00	59.60
50	48.00	65.60
60	58.00	75.60

CnC Tech, LLC

Part No.

3110-XX-002-13-00

UNLESS TOLERANCE		DRAW BY	
GENERAL	ANGLE	DESIGN BY	CHECK BY
X. ± 0.30	X.° ± 3.0°		
.X ± 0.20	.X° ± 2.0°		
.XX ± 0.15	.XX° ± 1.0°		
.XXX ± 0.08	.XXX ± 0.5°		
		APPROVE BY	
		SCALE	SHEET
		1:1	1/1
		UNIT	MM



DRAW NO:

REV: A