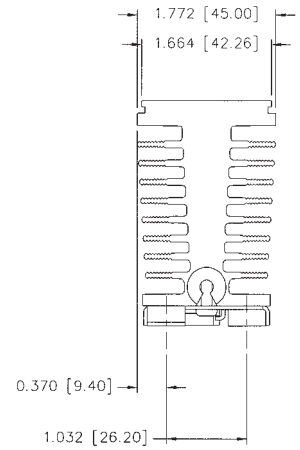
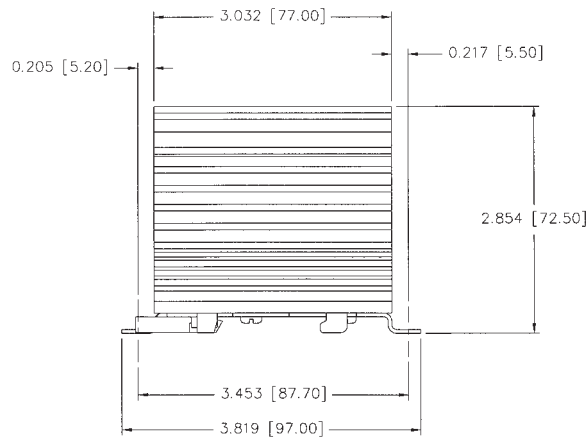


# SOLID STATE RELAYS

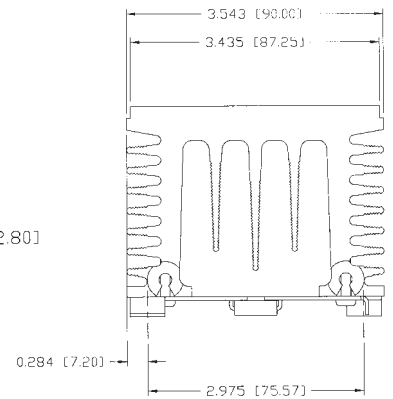
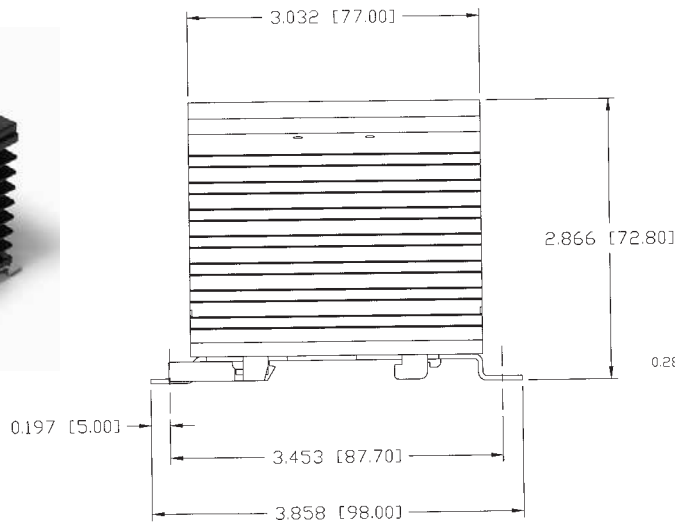
## HS8 HEATSINK



### ORDERING INFORMATION:

Model #	Description
HS8	Heatsink 2.1°C/W (For Single Phase SSR's)

## HS9 HEATSINK



### ORDERING INFORMATION:

Model #	Description
HS9	Heatsink 1.5°C/W (For Single Phase SSR's)

**DIMENSIONS:** inches (mm)

**TOLERANCES:** ±0.02 inches

**MATERIAL:** AISI 6063-T5 Aluminum

**FINISH:** Black Anodized

Products and specifications subject to change without notice.  
Consult factory for application assistance.