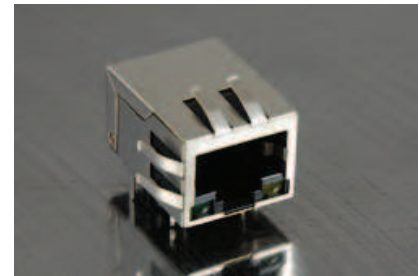




# Single Port RJ45 Connector

AR11-3760I

- 10/100 Base-T for Ethernet Applications
- For PoE Applications. Compliant with IEEE302.3af
- Impedance: 100OHMS
- RJ45 jack cavity conforms to FCC rules and regulations Part 68, SUB Part F
- Industrial Temp: -40°C to +85°C
- Contact factory for Standard Operating Temp.
- Optional Gold Plating Thickness
- Other LED Patterns available
- With Green and Yellow LED's
- Full EMI Fingers



## Electrical Specifications @ 25°C

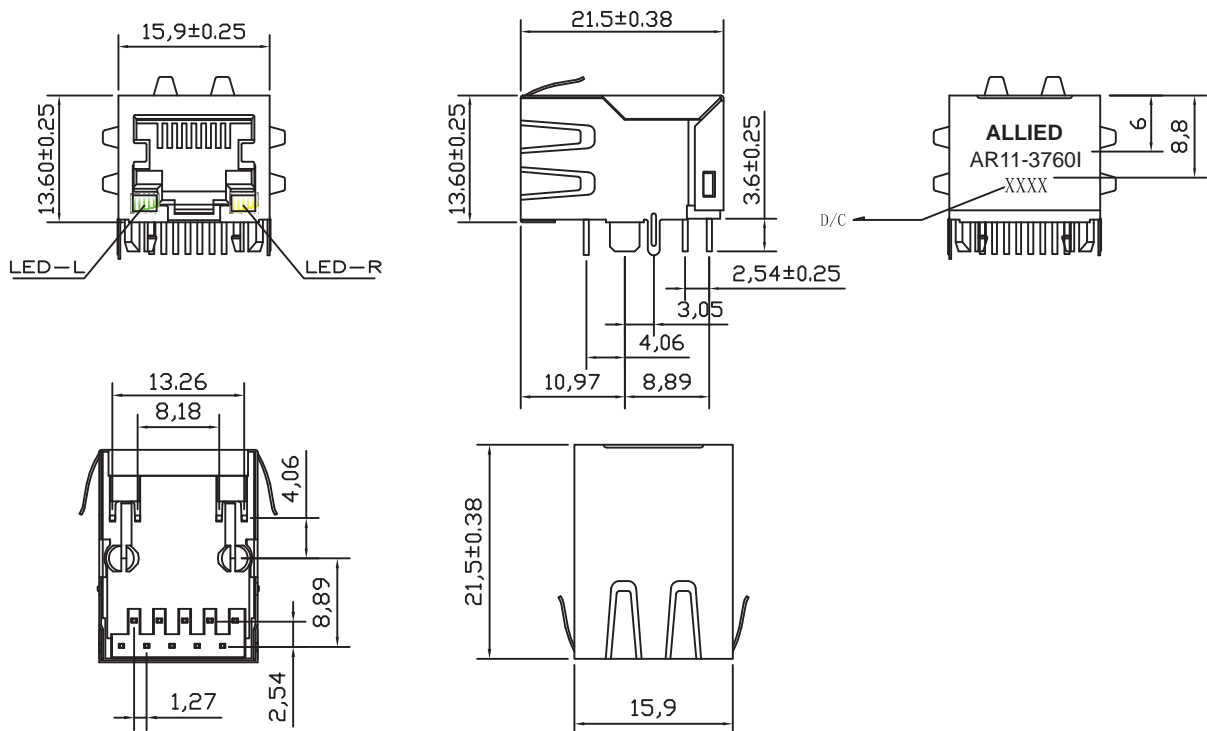
Part Number	OCL(uH Min) @ 100kHz, 0.1V	Turns Ratio chip: cable (±2%)	Insertion Loss (dB Max)	Return Loss (dB Min)		
	With 11mA DC Bias		1-100MHz	1-30MHz	30-60MHz	60-80MHz
AR11-3760I	350	1:1	-1.0	-18	-18-20Log(F/30MHz)	-12

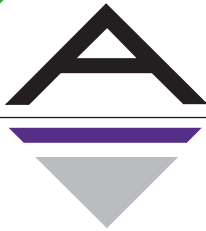
## Electrical Specifications @ 25°C

Cross Talk (dB Min)					CMR (dB Min)					CDMR (dB Min)					HI-POT (Vrms)
0.5-1MHz	10MHz	30MHz	50MHz	100MHz	0.3-1MHz	10MHz	30MHz	60MHz	100MHz	0.3-1MHz	10MHz	30MHz	60MHz	100MHz	1.0mA/3Sec.
-50	-50	-40	-35	-30	-50	-47	-42	-37	-30	-50	-50	-50	-45	-40	1500

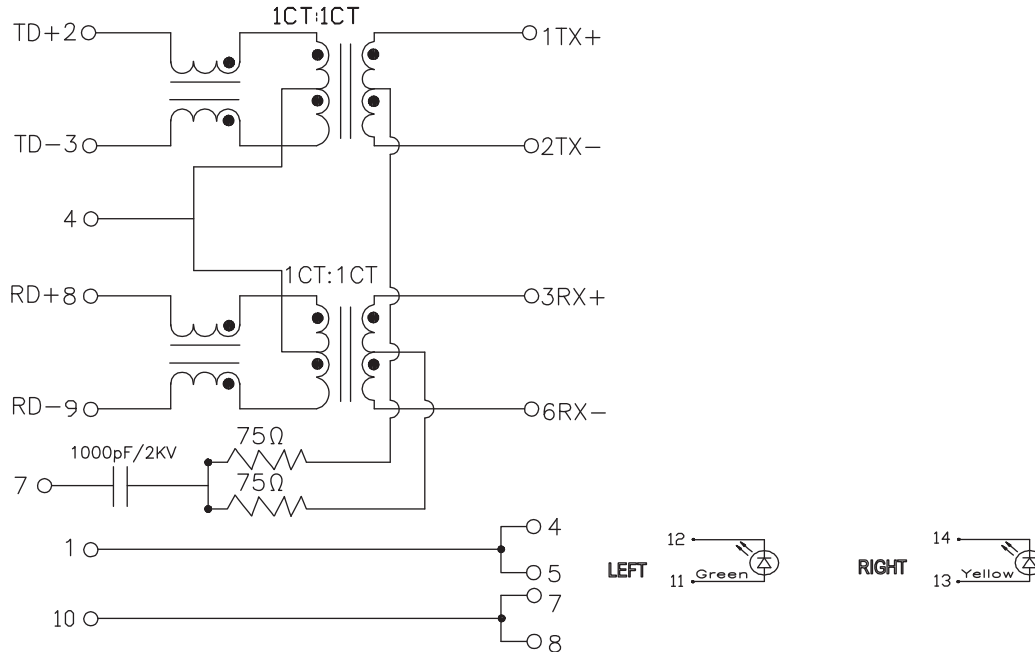
All specifications subject to change without notice.

## MECHANICAL

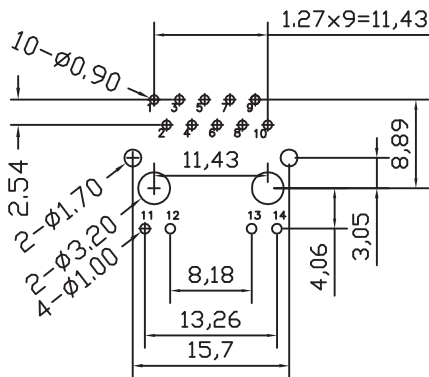




SCHEMATICS



PCB LAYOUT



NOTES

1. Shield- 0.20mm THICKNESS BRASS C2680 H. PLATING NICKEL 20u" Min.
2. Housing- Standard Material Nylon 66, Glass filled Polyester UL94V-0 Standard Color Black.
3. RJ Terminal- Plastic: Nylon 66 GF, UL94V-0, Standard Color Black.  
Pin: 0.35mm Thickness Phos-Bronze C5210 EH. Plating: Nickel 40u"-60u" for all and Sn 100%, and 6u" Gold Plating.
4. Input Terminal- Nylon 66, Glass Filled, UL94V-0, Standard Color Black.  
Pin: 0.35mm SUS430  
Plating: Nickel 40u"-60u" for all and Sn 100%.