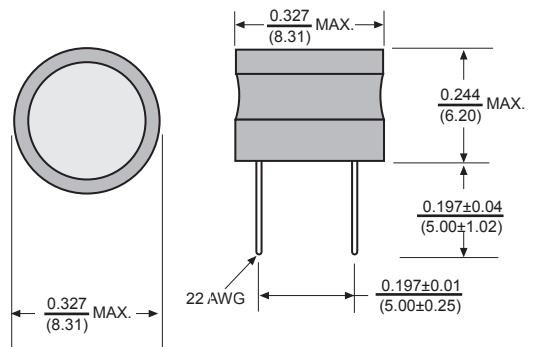




# Radial Bobbin Inductors RB20

Dimensions:  $\frac{\text{Inches}}{\text{(mm)}}$



| Allied Part Number | Inductance (μh) | Tolerance (%) | Q Min. | Test Freq. (MHz) | SRF Min. (MHz) | DCR Max. (Ω) | Rated Current (mA) |
|--------------------|-----------------|---------------|--------|------------------|----------------|--------------|--------------------|
| RB20-101K-RC       | 100             | 10            | 60     | 0.796            | 6.1            | 2.0          | 200                |
| RB20-121K-RC       | 120             | 10            | 60     | 0.796            | 5.5            | 3.0          | 200                |
| RB20-151K-RC       | 150             | 10            | 60     | 0.796            | 5.0            | 3.0          | 200                |
| RB20-181K-RC       | 180             | 10            | 60     | 0.796            | 4.7            | 3.0          | 200                |
| RB20-221K-RC       | 220             | 10            | 60     | 0.796            | 4.5            | 3.0          | 150                |
| RB20-271K-RC       | 270             | 10            | 60     | 0.796            | 4.1            | 3.0          | 150                |
| RB20-331K-RC       | 330             | 10            | 60     | 0.796            | 3.8            | 4.0          | 150                |
| RB20-391K-RC       | 390             | 10            | 60     | 0.796            | 3.5            | 4.0          | 100                |
| RB20-471K-RC       | 470             | 10            | 60     | 0.796            | 3.2            | 5.0          | 100                |
| RB20-561K-RC       | 560             | 10            | 60     | 0.796            | 2.9            | 6.0          | 100                |
| RB20-681K-RC       | 680             | 10            | 60     | 0.796            | 2.7            | 6.0          | 100                |
| RB20-821K-RC       | 820             | 10            | 60     | 0.796            | 2.3            | 7.0          | 50                 |
| RB20-102K-RC       | 1000            | 10            | 80     | 0.252            | 2.1            | 9.0          | 50                 |
| RB20-122K-RC       | 1200            | 10            | 80     | 0.252            | 1.9            | 9.0          | 50                 |
| RB20-152K-RC       | 1500            | 10            | 80     | 0.252            | 1.8            | 11.0         | 50                 |
| RB20-182K-RC       | 1800            | 10            | 80     | 0.252            | 1.6            | 12.0         | 50                 |
| RB20-222K-RC       | 2200            | 10            | 80     | 0.252            | 1.5            | 14.0         | 50                 |
| RB20-272K-RC       | 2700            | 10            | 80     | 0.252            | 1.4            | 15.0         | 50                 |
| RB20-332K-RC       | 3300            | 10            | 80     | 0.252            | 0.9            | 25.0         | 40                 |
| RB20-392K-RC       | 3900            | 10            | 80     | 0.252            | 0.9            | 30.0         | 40                 |
| RB20-472K-RC       | 4700            | 10            | 80     | 0.252            | 0.8            | 32.0         | 40                 |
| RB20-562K-RC       | 5600            | 10            | 80     | 0.252            | 0.7            | 36.0         | 30                 |
| RB20-682K-RC       | 6800            | 10            | 80     | 0.252            | 0.7            | 40.0         | 30                 |
| RB20-822K-RC       | 8200            | 10            | 80     | 0.252            | 0.6            | 45.0         | 30                 |
| RB20-103K-RC       | 10000           | 10            | 60     | 0.0796           | 0.6            | 55.0         | 20                 |
| RB20-123K-RC       | 12000           | 10            | 60     | 0.0796           | 0.5            | 65.0         | 20                 |
| RB20-153K-RC       | 15000           | 10            | 60     | 0.0796           | 0.5            | 80.0         | 20                 |

All specifications subject to change without notice.

## Features

- Radial leaded pre-tinned leads.
- Protected with UL polyolefin shrink tubing.
- Non-standard values and tolerances available.

## Electrical

**Inductance Range:** 100μh to 15000μh.

**Tolerance:** 10% over entire inductance range. Tighter tolerances available.

**Inductance Drop:** 10% typical at the rated current.

**Operating Temp:** -25°C to + 105°C

## Physical

**Packaging:** 100 pieces per box.

**Marking:** EIA Inductance Code.