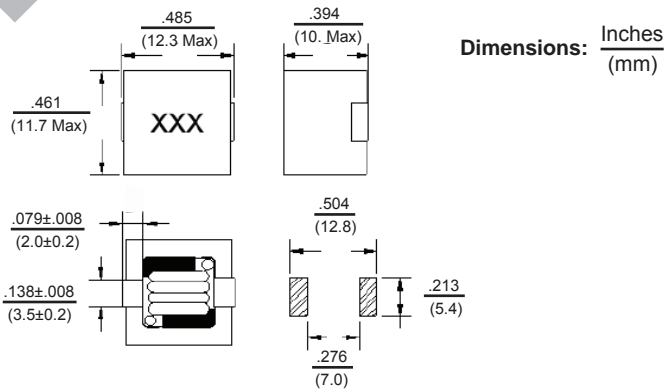




# Power Shielded Inductor

# PS120



Allied Part Number	Inductance ( $\mu\text{H}$ )	Tolerance ( $\pm\%$ )	Test Frequency (KHz, 0.5V)	RDC	Isat (A) Max	Irms (A) Max
PS120-R22M-RC	.22	20	100	1.5	50	37
PS120-R33M-RC	.33	20	100	1.5	45	37
PS120-R47M-RC	.47	20	100	1.8	45	35
PS120-R56M-RC	.56	20	100	1.8	45	35
PS120-R68M-RC	.68	20	100	1.8	40	35
PS120-R82M-RC	.82	20	100	2.4	38	30
PS120-1R0M-RC	1.0	20	100	2.4	34	30
PS120-1R5M-RC	1.5	20	100	2.4	29	25
PS120-2R2M-RC	2.2	20	100	4.7	25	21
PS120-3R3M-RC	3.3	20	100	6.3	19	14

All specifications subject to change without notice.

## Features

- SMD Ultra High Current up to 50A Isat
- Magnetically Shielded Construction
- Designed for low buzz noise
- Low DC Resistance
- Suitable for pick and place

## Electrical

**Inductance Range:** .22 $\mu\text{H}$  to 3.3 $\mu\text{H}$  additional values available.

**Tolerance:** 20% over entire range  
Available in tighter tolerances

**Test Frequency:** 100KHz

**Operating Temp:** -25°C to +85°C

**Temp. Rise:**  $\Delta=40^\circ\text{C}$  Typical at rated Irms without without core loss.

Part temperature should not exceed 125°C including temperature rise.

Inductance drop: 20% typical at rated Isat

## Resistance to Soldering Heat

Pre-Heat 150°C, 1 minute.

**Solder Composition:** Sn/Ag3.0/Cu0.5

**Solder Temp:** 260°C  $\pm$  5°C

**Immersion Time:** 10 sec.  $\pm$  1 sec.

## Test Equipment

**(L):** WK 4237 Meter

**DCR:** HK502BS Meter

**Isat/Irms:** 3260B WK & DC Bias 3265B WK

## Physical

**Packaging:** 300 pieces per 13 inch reel.

**Marking:** EIA Inductance Code