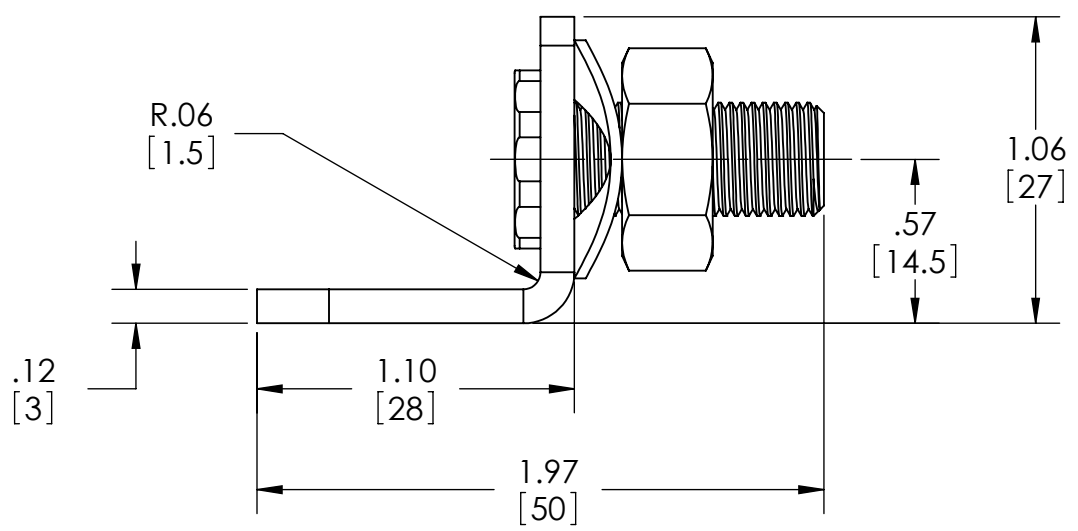
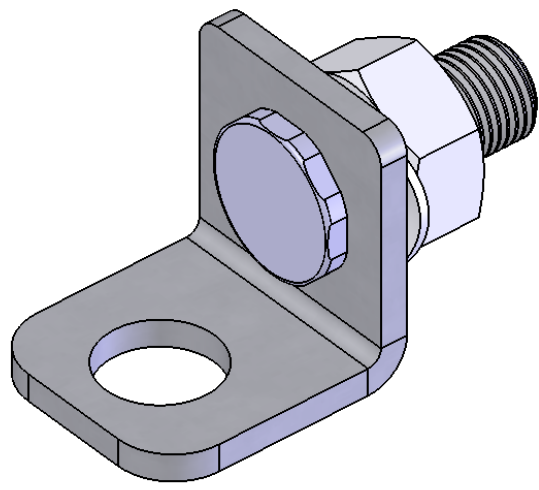
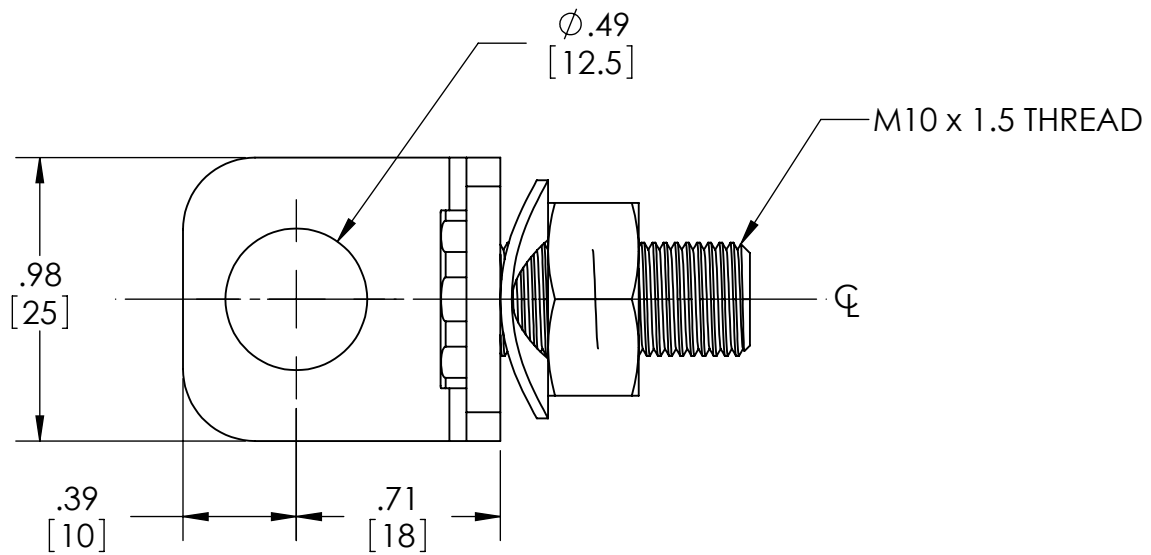


THE INFORMATION CONTAINED IN THIS DRAWING IS THE SOLE PROPERTY OF GIGAVAC LLC. ANY REPRODUCTION IN PART OR WHOLE WITHOUT THE WRITTEN PERMISSION OF GIGAVAC LLC IS PROHIBITED.

REVISIONS			
REV.	DESCRIPTION	DATE	APPROVED
1	DATASHEET RELEASE	8/15/2012	R.ULRICH



UNLESS OTHERWISE SPECIFIED  
DIMENSIONS ARE IN INCHES



6382 ROSE LANE  
CARPINTERIA, CA 93013  
www.gigavac.com

DATA SHEET: Angle Adapter, M12 to M10, Assembly

SIZE: A	DWG. NO. 1006	REV: 1
SCALE: N/A	CAD FILE: 1006_DATASHEET.SLDDRW	SHEET 1 OF 1