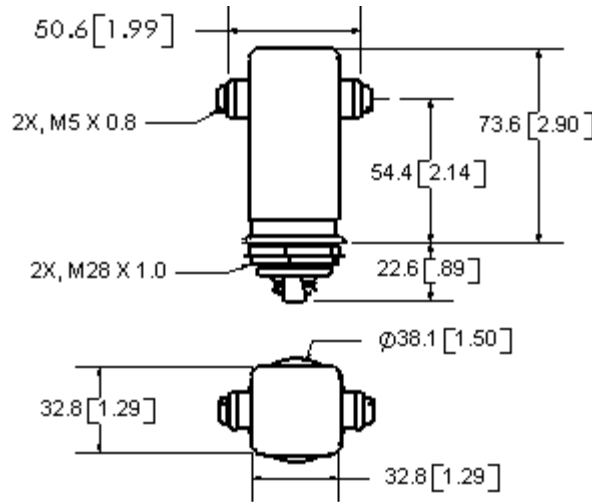


Make Only Load Switching
RoHS Compliant, All Units



FEATURES	
◆	SF-6 Gas filled version of GIGAVAC G22
◆	Ideal for high in-rush capacitive make applications (contact GIGAVAC for switching spec's at different voltages)
◆	Tungsten contacts for long life

PRODUCT SPECIFICATIONS		
Contact & Relay Ratings	Units	G28
Contact Form		X
Contact Arrangement		SPST-NO
Voltage, Test Max., Contacts & to Base (15 µA Leakage Max., dc or 60Hz)	kV Peak	28
Voltage, Operating Max., Contacts & to Base (15 µA Leakage Max.)		
dc or 60 Hz	kV Peak	25
2.5 MHz	kV Peak	-
16 MHz	kV Peak	-
32 MHz	kV Peak	-
Current, Continuous Carry Max		
dc or 60 Hz	Amps	30
2.5 MHz	Amps	-
16 MHz	Amps	-
32 MHz	Amps	-
Coil Hi-Pot (V RMS, 60 Hz)	V	500
Capacitance		
Across Open Contacts	pF	-
Contacts to Ground	pF	-
Resistance, Contact Max @ 1A, 28 Vdc	ohms	1.0
Operate Time	ms	18
Release Time	ms	10
Life, Mechanical	cycles	2 million
Weight, Nominal	g (oz)	342 (12)
Vibration, Operating, Sine (55-500 Hz Peak)	G's	10
Shock, Operating, 1/2 Sine 11ms (Peak)	G's	30
Temperature Ambient Operating	°C	-55 to +125

COIL RATINGS			
Nominal, Volts dc	12	26.5	115
Pick-up, Volts dc, Max.	8	16	80
Drop-Out, Volts dc	.5 - 5	1 - 10	5 - 50
Coil Resistance (Ohms ±10%)	24	120	2000

Ratings listed are for 25°C, sea level conditions

For more information, refer to

[Relay User Instructions](#)

G28 **W P - 12Vdc**

High Voltage/
Power Terminal
Connections
W = Screw

Mounting
P = Through Panel

Coil Voltage*
Blank = 26.5 Vdc
12 Vdc = 12 Vdc
115 Vdc = 115 Vdc

*Order the relay with the coil voltage in the part number as shown above. The coil voltage will appear on the coil plate near the coil terminals rather than in the P/N on the relay.