



"ALWAYS COMPLETE"

Cogent Computer Systems, Inc.

17 Industrial Drive, Smithfield RI 02917

tel: 401-349-3999, fax: 401-349-3998, web: www.cogcomp.com

CSB705 - CSB7xx Series Expandable Development Platform

The CSB705, designed, developed and manufactured by Cogent Computer Systems, Inc., is a Universal Development Platform supporting all CSB7xx series CPU modules as well as multiple LCD Display options.

Specifications

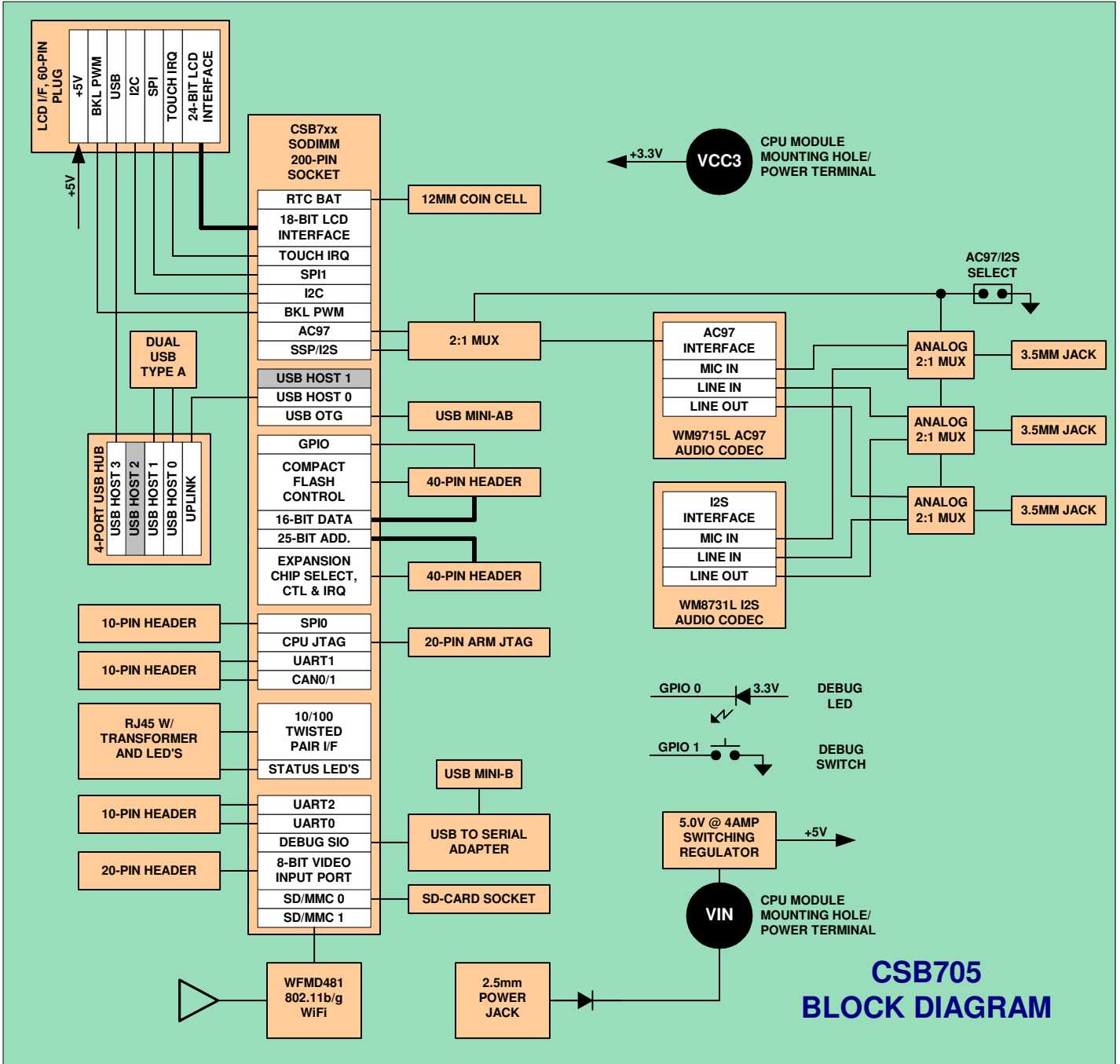
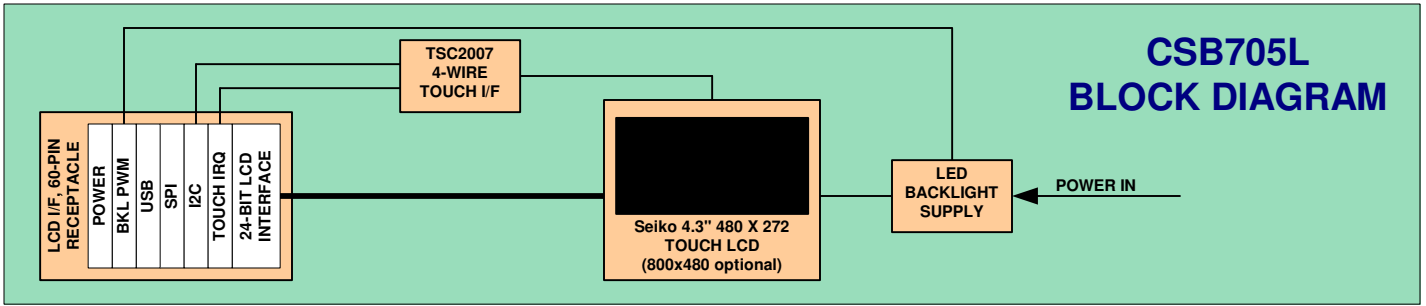
- CSB7xx series CPU Module Compatible 200-Pin SODIMM Socket
- Multiplexed WM9715L AC97 Audio Codec and WM8731L I2S Audio Codec with MIC In, Line In and Headphone Out
- Connects to CSB705L with Seiko 4.3" 480 x 272 (4.3" 800 x 480 optional) LCD Display with 4-Wire Touch and LED Backlight
- USB Mini-AB OTG Connector
- High Speed USB Hub with Dual USB Type-A Connector
- 10/100 Ethernet Transformer/Jack
- USB to Serial Adapter Debug Serial Port (via USB Mini-B Connector)
- 4-Bit SDIO Compliant SD/MMC Socket
- On-Board 802.11b/g WiFi module via SDIO Interface 1
- 40-pin Headers for Address, Data and Expansion Controller
- 20-Pin ARM JTAG Header
- Headers for access to VIP, UART0-2, CAN0-1 and SPI 0 ports.
- 5.0V @ 4A Power Supply for USB Host and LCD Adapter
- 12mm Coin Cell Holder for RTC Battery Backup (RTC on CPU Module)
- Reset and User Debug Switches plus Power and User Debug LEDs
- Compact Size, 4.5" x 5.0"

Introduction and Overview

The CSB705 is designed to provide an easy, flexible and highly productive development platform for any CSB7xx series CPU module. The CSB705 uses standard .025" post headers all on .1" centers for ease of prototyping. The 60-Pin LCD Interface Connector allows the user to add a 4.3" 480 x 272 LCD via the CSB705L for display applications. The CSB705L also may be ordered with a 4.3" 800 x 480 LCD for high resolution multimedia applications. Future versions will support the Seiko 3.2" 800 x 480 and 3.5" 320 x 240 displays. Contact Cogent for more information on the various LCD options available.

Cogent can also provide customized versions of the CSB705 and CSB705L (or other display interfaces such as HDMI, LVDS, MIPI, etc) at very competitive NRE charges and/or minimum order quantities. Contact us for more information.

CSB705L BLOCK DIAGRAM



CSB705 BLOCK DIAGRAM