

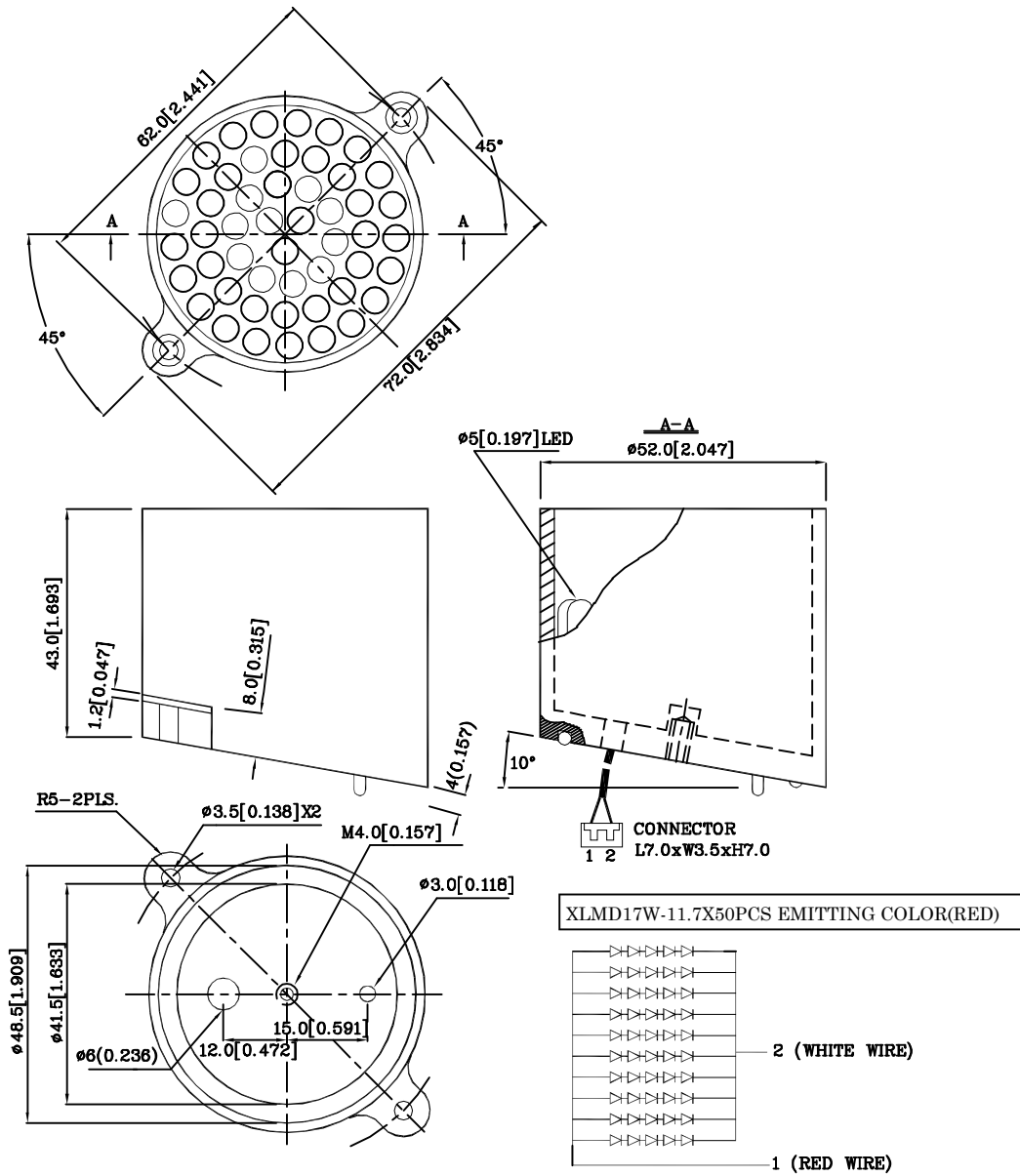


Features

- Waterproof construction.
- Suitable for outdoor applications, signboard or message board, etc.
- RoHS compliant.



Package Schematics



- Notes:
1. All dimensions are in millimeters (inches).
 2. Tolerance is $\pm 0.25(0.01)$ unless otherwise noted.
 3. Specifications are subject to change without notice.

Electrical / Optical Characteristics at TA=25°C

| Symbol | Parameter | Device | Min | Typ. | Max. | Units | Test Conditions | |
|--------------------|--------------------------|-----------|--------|--------|------|-------|-----------------------|-----------------------|
| I _v | Luminous Intensity | XK50MDW46 | 40000 | 79990 | - | mcd | I _F =200mA | |
| | | | 12500* | 25000* | - | | | |
| 2 θ _{1/2} | Viewing Angle | | - | 40 | - | deg | - | |
| V _F | Forward Voltage | | - | 9.5 | 12.5 | V | I _F =200mA | |
| λ _P | Peak Wavelength | | - | 650 | 645* | - | nm | I _F =200mA |
| λ _D | Dominant Wavelength | | - | 630 | 630* | - | nm | I _F =200mA |
| Δλ _{1/2} | Spectral Line Half-width | | - | 27 | | - | nm | I _F =200mA |
| I _R | Reverse Current | | - | - | - | 100 | uA | V _R = 5V |

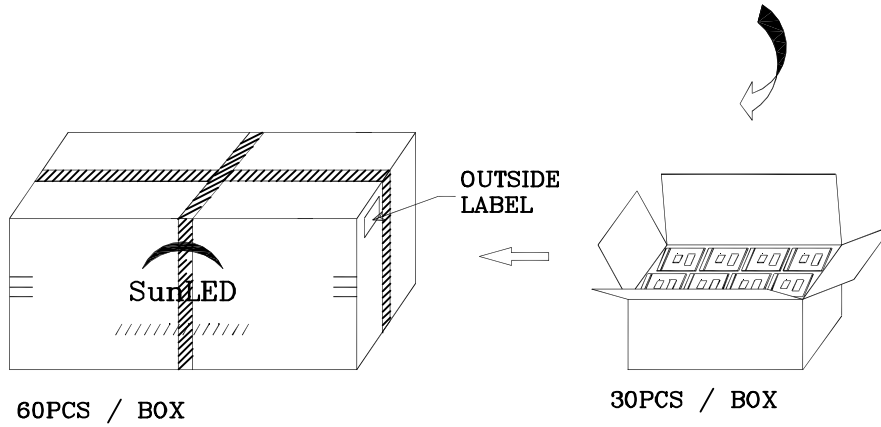
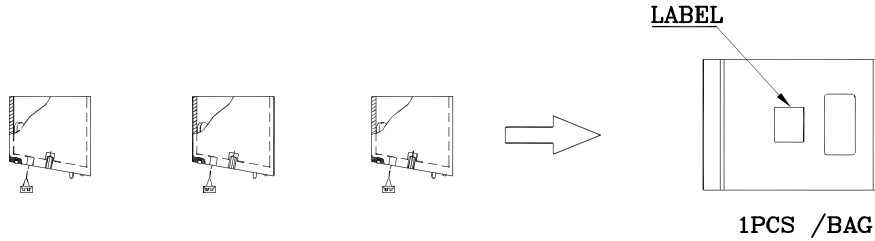

*Luminous intensity value and wavelength are in accordance with CIE127-2007 standards.

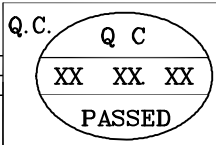

Absolute Maximum Ratings at TA=25°C

| Parameter | Type | Units |
|--------------------------|----------------|-------|
| Total Power dissipation | 3700 | mW |
| Total DC Forward Current | 300 | mA |
| Reverse Voltage | 5 | V |
| Operating Temperature | -40°C To +70°C | |
| Storage Temperature | -40°C To +85°C | |



PACKING & LABEL SPECIFICATIONS

| | |
|--|-----------|
|  | |
| P/N0 : XK50xxx | |
| QTY : 1 pcs | CODE: XXX |
| S/N : XX | |
| LOT NO: | |
|  XXXXXXXXXXXXXXXXXXXX | |
| RoHS Compliant | |