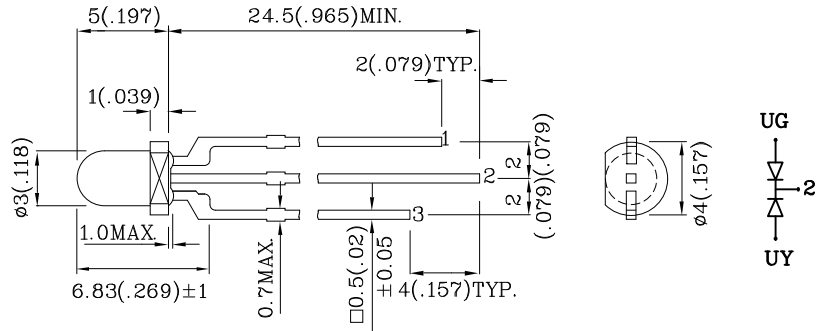


Features

- UNIFORM LIGHT OUTPUT.
- LOW POWER CONSUMPTION.
- 3 LEADS WITH ONE COMMON LEAD.
- I.C. COMPATIBLE.
- LONG LIFE - SOLID STATE RELIABILITY.
- RoHS COMPLIANT.



- 1 ANODE GREEN
- 2 COMMON CATHODE
- 3 ANODE YELLOW

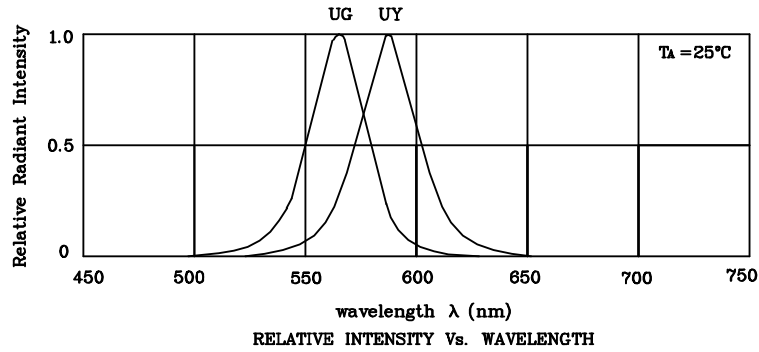
Notes:

1. All dimensions are in millimeters (inches).
2. Tolerance is $\pm 0.25(0.01)$ unless otherwise noted.
3. Specifications are subject to change without notice.

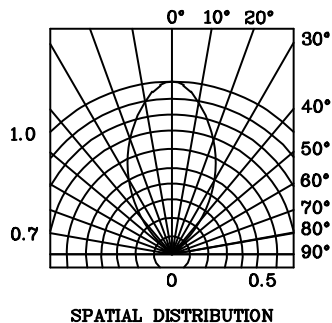
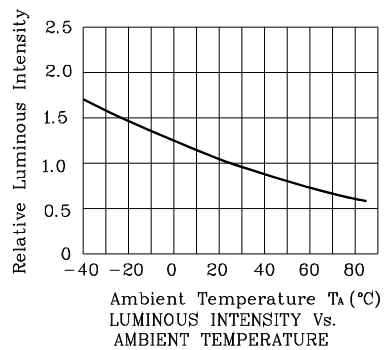
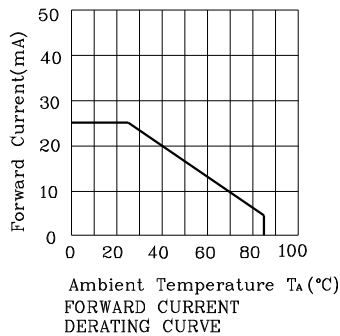
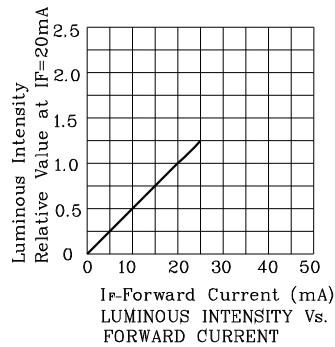
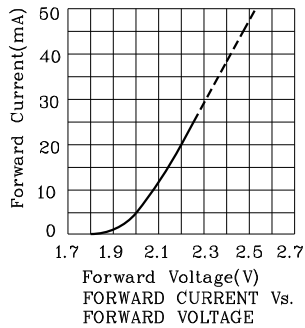
| Absolute Maximum Ratings (TA=25°C) | | UG (GaP) | UY (GaAsP/ GaP) | Unit |
|---|---------------------|-------------|-----------------------|------|
| Reverse Voltage | VR | 5 | 5 | V |
| Forward Current | IF | 25 | 30 | mA |
| Forward Current (Peak) 1/10Duty Cycle 0.1ms Pulse Width | iFS | 140 | 140 | mA |
| Power Dissipation | PT | 62.5 | 75 | mW |
| Operating Temperature | TA | -40 ~ +85 | | °C |
| Storage Temperature | Tstg | -40 ~ +85 | | |
| Lead Solder Temperature [2mm Below Package Base] | 260°C For 3 Seconds | | | |
| Lead Solder Temperature [5mm Below Package Base] | 260°C For 5 Seconds | | | |

| Operating Characteristics (TA=25°C) | | UG (GaP) | UY (GaAsP/ GaP) | Unit |
|---|-----------------|-------------|-----------------------|------|
| Forward Voltage (Typ.) (IF=20mA) | VF | 2.2 | 2.1 | V |
| Forward Voltage (Max.) (IF=20mA) | VF | 2.5 | 2.5 | V |
| Reverse Current (Max.) (VR=5V) | IR | 10 | 10 | uA |
| Wavelength Of Peak Emission (Typ.) (IF=20mA) | λP | 565 | 590 | nm |
| Wavelength Of Dominant Emission (Typ.) (IF=20mA) | λD | 568 | 588 | nm |
| Spectral Line Full Width At Half-Maximum (Typ.) (IF=20mA) | $\Delta\lambda$ | 30 | 35 | nm |
| Capacitance (Typ.) (VF=0V, f=1MHz) | C | 15 | 20 | pF |

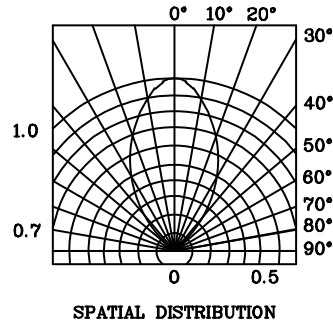
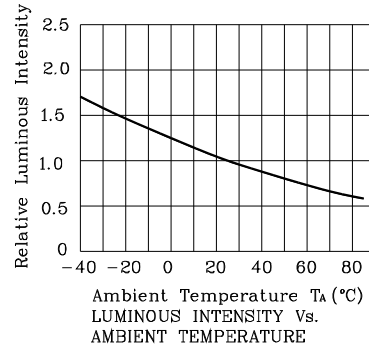
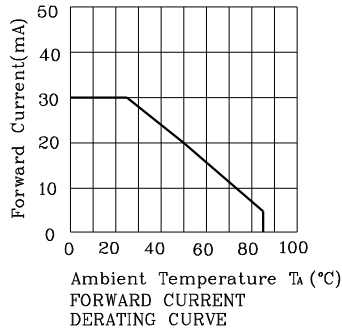
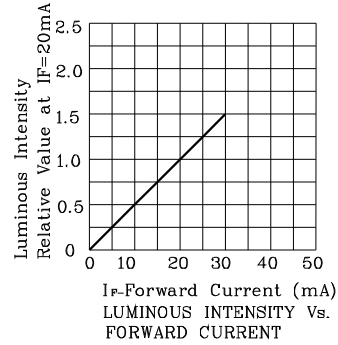
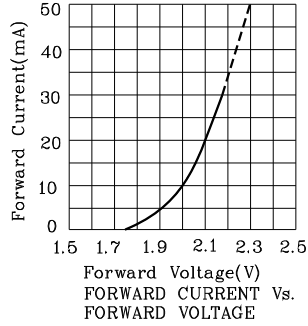
| Part Number | Emitting Color | Emitting Material | Lens-color | Luminous Intensity (IF=20mA) mcd | | Wavelength nm λP | Viewing Angle $2\theta 1/2$ |
|-------------|----------------|-------------------|----------------|--|------|---------------------------------|--------------------------------|
| | | | | min. | typ. | | |
| XLUGY92M | Green | GaP | White Diffused | 10 | 29 | 565 | 60° |
| | Yellow | GaAsP/GaP | | 7 | 14 | 590 | |



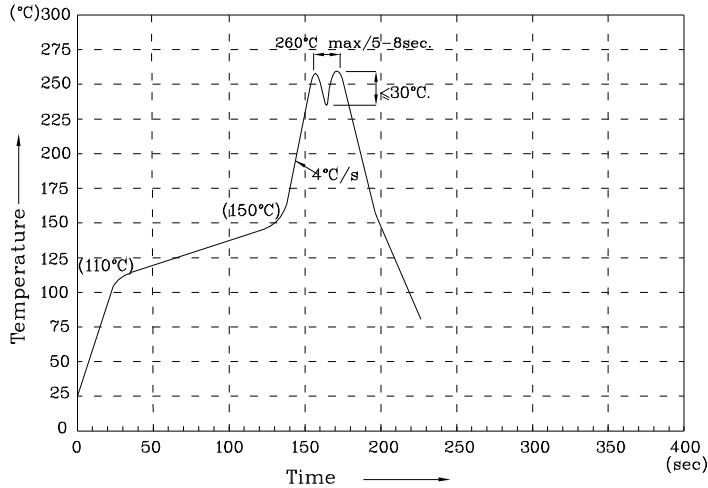
❖ UG



❖ UY



Wave Soldering Profile For Lead-free Through-hole LED.



NOTES:

1. Recommend the wave temperature 245°C~260°C. The maximum soldering temperature should be less than 260°C.
2. Do not apply stress on epoxy resins when temperature is over 85 degree°C.
3. The soldering profile apply to the lead free soldering (Sn/Cu/Ag alloy).
4. No more than once.

Remarks:

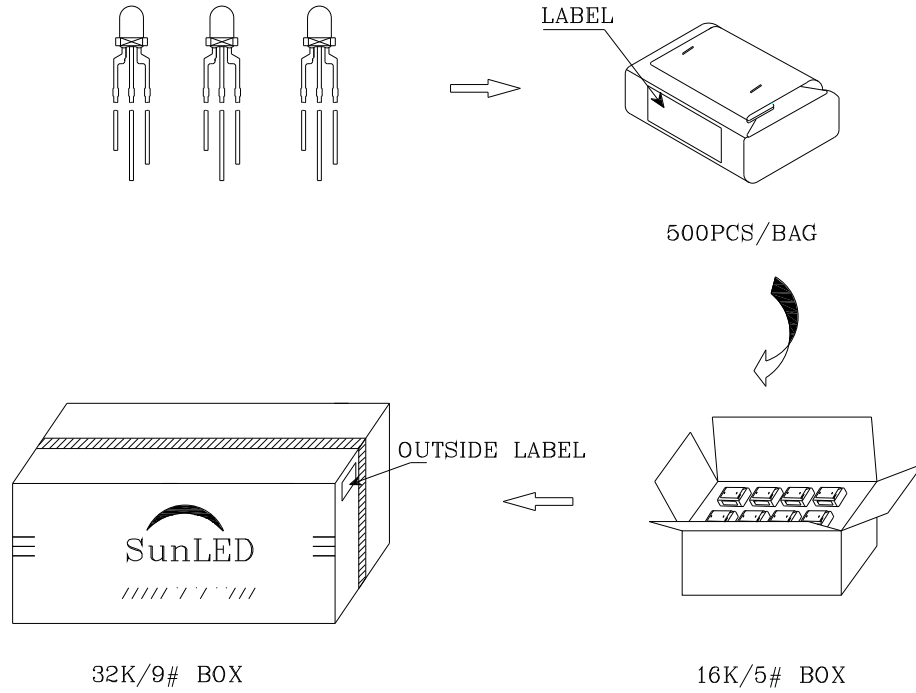

If special sorting is required (e.g. binning based on forward voltage, luminous intensity / luminous flux or wavelength), the typical accuracy of the sorting process is as follows:

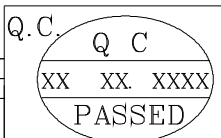

1. Wavelength: +/-1nm
2. Luminous Intensity / luminous flux: +/-15%
3. Forward Voltage: +/-0.1V

Note: Accuracy may depend on the sorting parameters.

PACKING & LABEL SPECIFICATIONS

XLUGY92M

| | |
|--|-----------|
|  | |
| P/NO : XLxxx92x | |
| QTY : 500 pcs | CODE: XXX |
| S/N : XX | |
| LOT NO: | |
|  XXXXXXXXXXXXXXXXXXXXXXXXXXXX | |
| RoHS Compliant | |