

PRELIMINARY SPEC

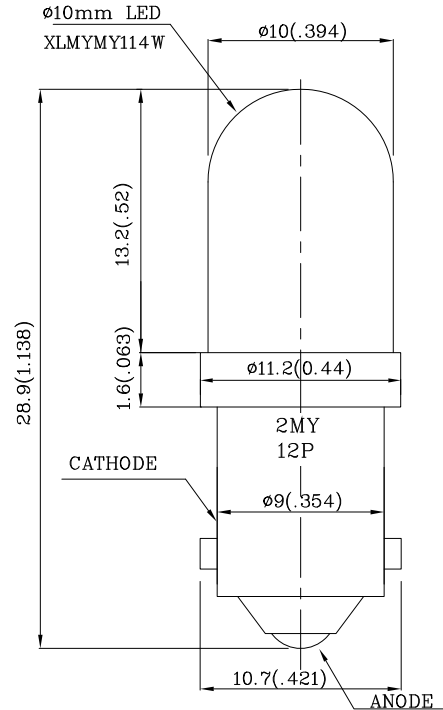
Features

- BUILT-IN CURRENT LIMITING RESISTOR FOR DIRECT APPLICATION OF DIFFERENT ACROSS CURRENT.
- LONG LIFE.
- LOW CURRENT, POWER SAVINGS.
- LOW MAINTENANCE.
- SOLID STATE, HIGH VIBRATION RESISTANT.
- 12V INTERNAL RESISTOR.
- RoHS COMPLIANT.



Notes:

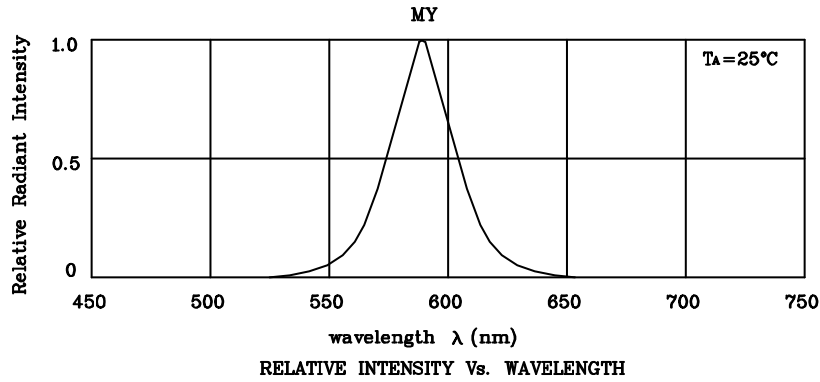
1. All dimensions are in millimeters (inches).
2. Tolerance is $\pm 0.25(0.01)$ " unless otherwise noted.
3. Specifications are subject to change without notice.



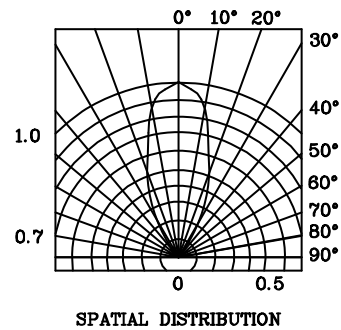
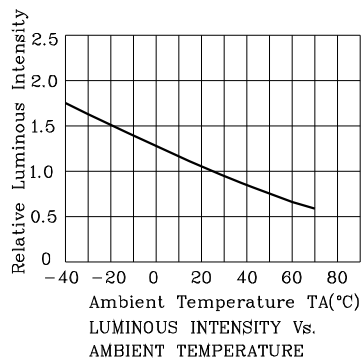
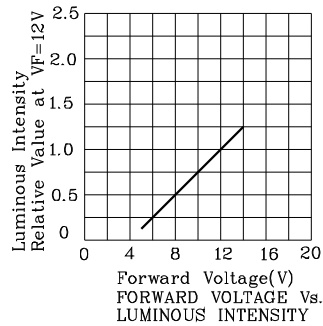
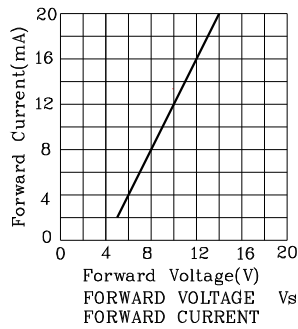
Absolute Maximum Ratings (TA=25°C)		MY (InGaAlP)	Unit
Reverse Voltage	V _R	5	V
Forward Voltage	V _F	14	V
Power Dissipation	P _T	280	mW
Operating Temperature	T _A	-40 ~ +70	°C
Storage Temperature	T _{stg}	-40 ~ +85	

Operating Characteristics (TA=25°C)		MY (InGaAlP)	Unit
Forward Current (Typ.) (V _F =12V)	I _F	16	mA
Forward Current (Max.) (V _F =12V)	I _F	20	mA
Reverse Current (Max.) (V _R =5V)	I _R	10	uA
Wavelength Of Peak Emission (Typ.) (V _F =12V)	λ P	590	nm
Wavelength Of Dominant Emission (Typ.) (V _F =12V)	λ D	588	nm
Spectral Line Full Width At Half-Maximum (Typ.) (V _F =12V)	Δλ	28	nm

Part Number	Emitting Color	Emitting Material	Lens-color	Luminous Intensity (V=12V)		Wavelength nm λ P	Viewing Angle 2 θ 1/2
				min.	typ.		
XYMY102W12V	Yellow	InGaAlP	Water Clear	900	1990	590	40°

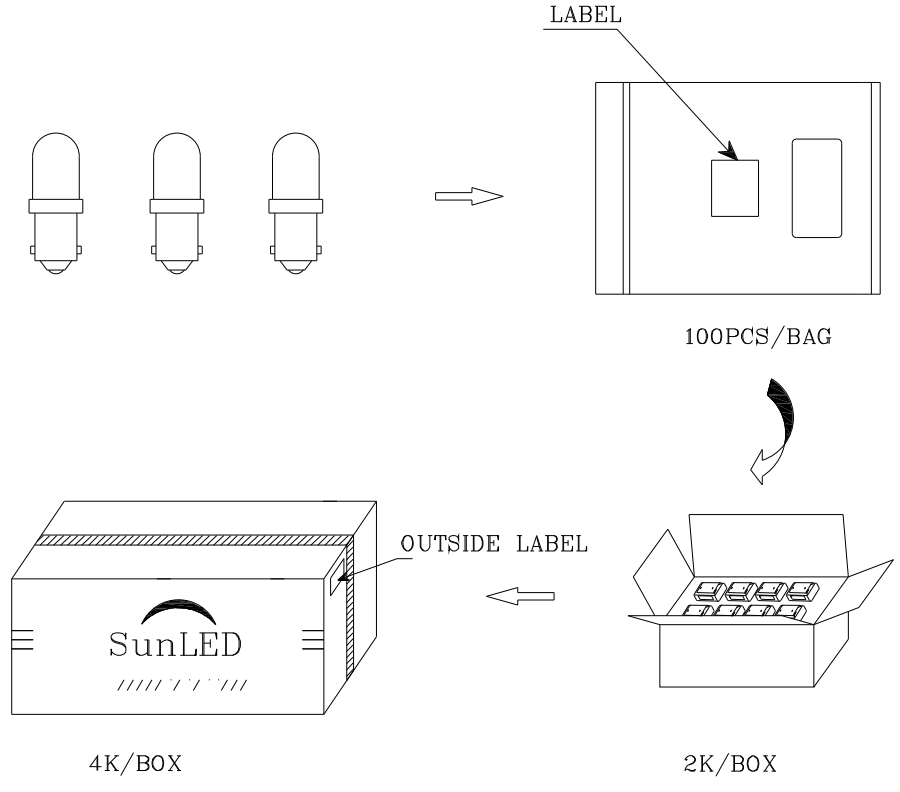



❖ MY



PACKING & LABEL SPECIFICATIONS

XYMY102W12V





Q.C.

Q C

XX XX XXXX

PASSED

P/NO : XYxxx102x	
QTY : 100 pcs	CODE: XXX
S/N : XX	
LOT NO :	
 XXXXXXXXXXXXXXXXXXXXXXXXXX	
RoHS Compliant	