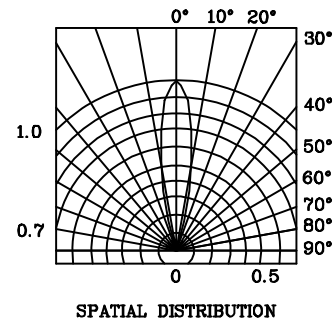
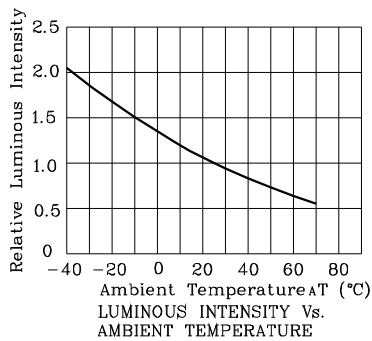
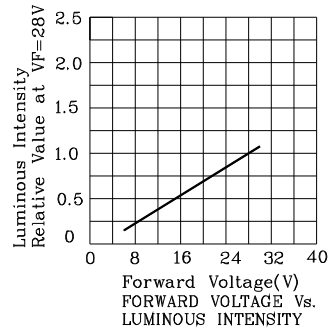
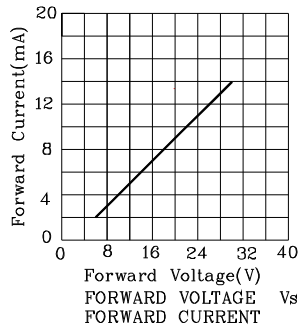
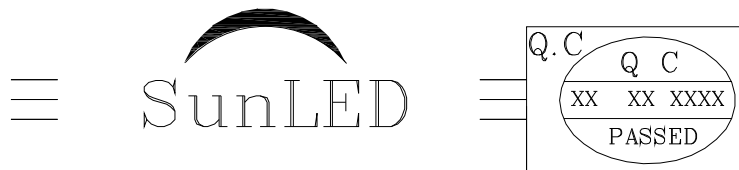
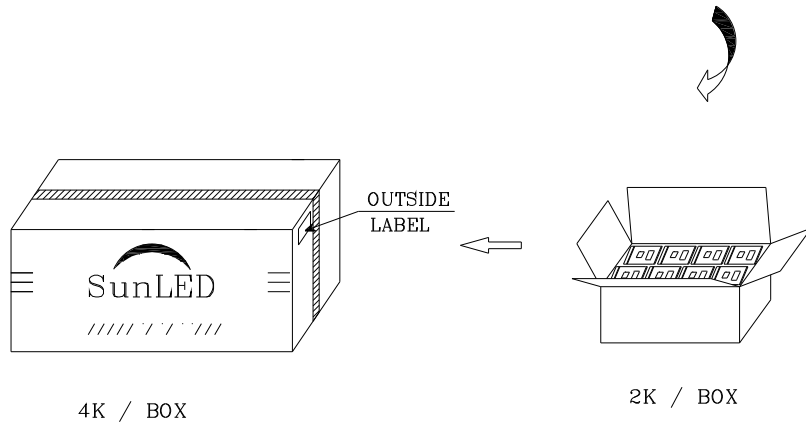
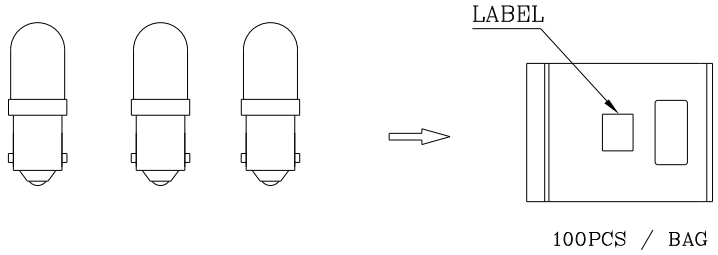



❖ SG



PACKING & LABEL SPECIFICATIONS

XYSG101W28V



P/NO : XYxx101x	
QTY : 100 pcs	CODE: XXX
S/N : XX	
LOT NO:	
 xxxxxxxxxxxxxxxxxxxxxxxx	
RoHS Compliant	