

PRELIMINARY SPEC

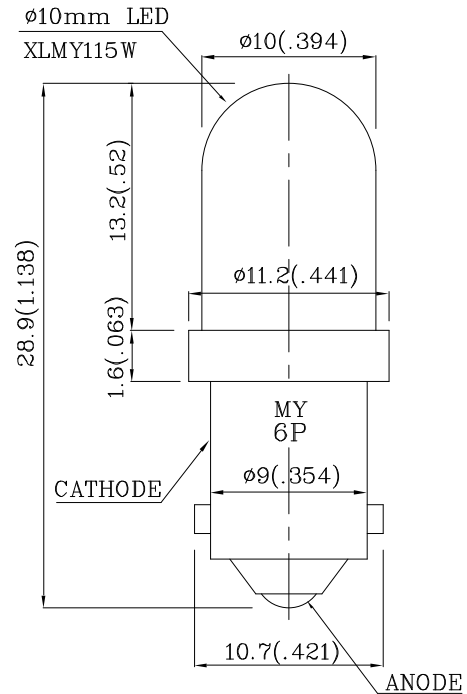
Features

- BUILT-IN CURRENT LIMITING RESISTOR FOR DIRECT APPLICATION OF DIFFERENT ACROSS CURRENT.
- LONG LIFE.
- LOW CURRENT, POWER SAVINGS.
- LOW MAINTENANCE.
- DIFFERENT COLOR AVAILABLE.
- SOLID STATE, HIGH VIBRATION RESISTANT.
- 6V INTERNAL RESISTOR.
- RoHS COMPLIANT.



Notes:

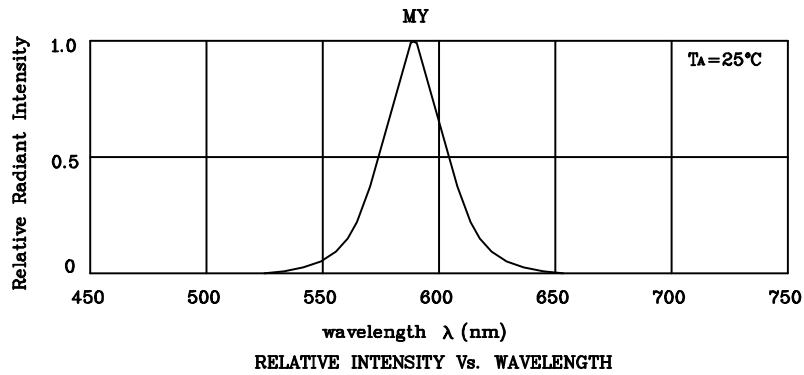
1. All dimensions are in millimeters (inches).
2. Tolerance is $\pm 0.25(0.01")$ unless otherwise noted.
3. Specifications are subject to change without notice.



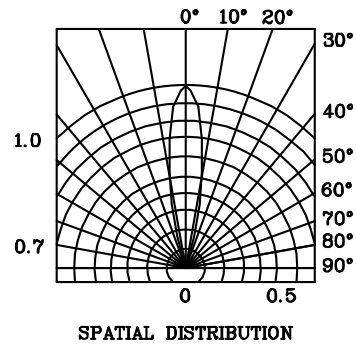
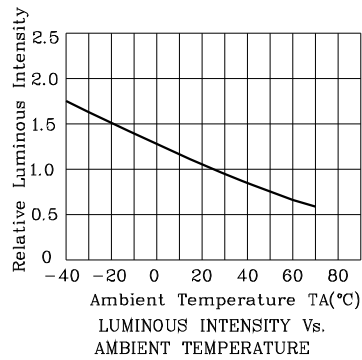
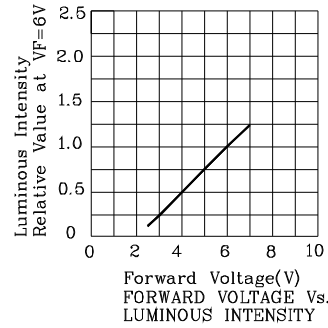
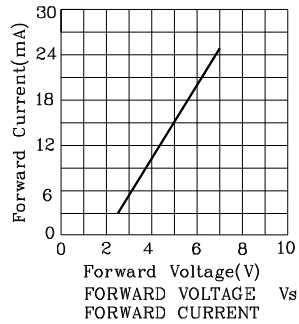
Absolute Maximum Ratings ($T_A=25^\circ\text{C}$)		MY (InGaAlP)	Unit
Reverse Voltage	V_R	5	V
Forward Voltage	V_F	7	V
Power Dissipation	P_T	175	mW
Operating Temperature	T_A	-40 ~ +70	°C
Storage Temperature	T_{stg}	-40 ~ +85	

Operating Characteristics ($T_A=25^\circ\text{C}$)		MY (InGaAlP)	Unit
Forward Current (Typ.) ($V_F=6\text{V}$)	I_F	20	mA
Forward Current (Max.) ($V_F=6\text{V}$)	I_F	25	mA
Reverse Current (Max.) ($V_R=5\text{V}$)	I_R	10	μA
Wavelength Of Peak Emission (Typ.) ($V_F=6\text{V}$)	λ_P	590	nm
Wavelength Of Dominant Emission (Typ.) ($V_F=6\text{V}$)	λ_D	588	nm
Spectral Line Full Width At Half-Maximum (Typ.) ($V_F=6\text{V}$)	$\Delta\lambda$	28	nm

Part Number	Emitting Color	Emitting Material	Lens-color	Luminous Intensity ($V=6\text{V}$) mcd		Wavelength nm λ_P	Viewing Angle 2θ 1/2
				min.	typ.		
XYMY101W6V	Yellow	InGaAlP	Water Clear	1500	2490	590	20°
Published Date : JAN 26,2008 Drawing No : XDSA2971 V4 Checked : B.L.LIU P.1/3							

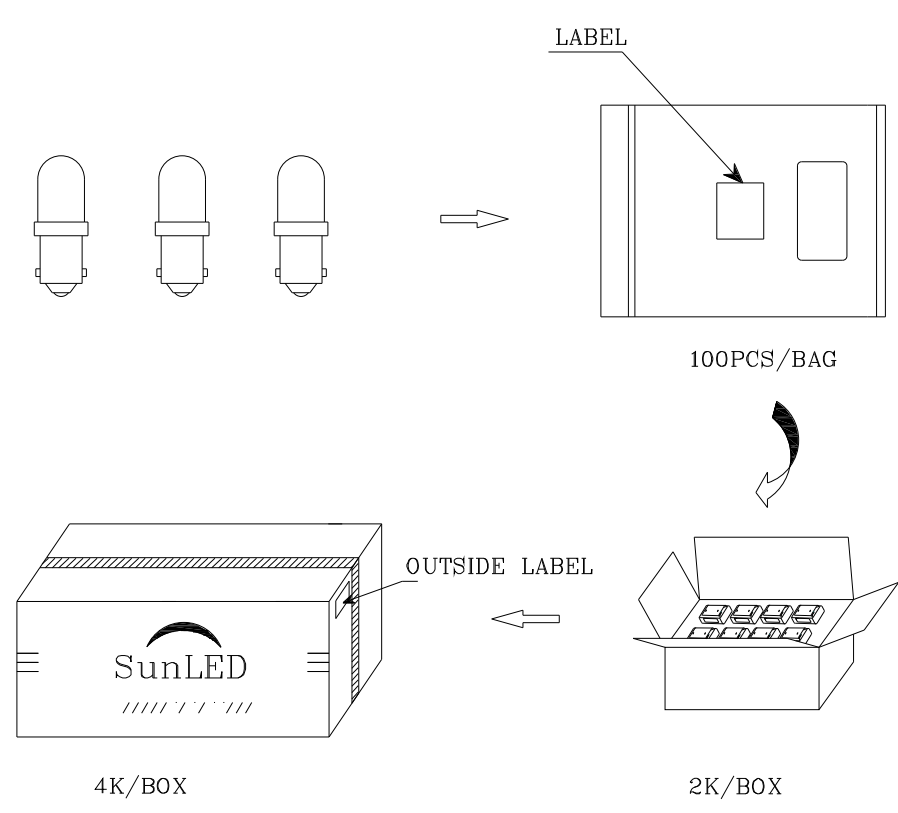



❖ MY




PACKING & LABEL SPECIFICATIONS

XYMY101W6V

SunLED Q.C. Q C XX XX XXXX PASSED

P/NO : XYxxx102x	
QTY : 100 pcs	CODE: XXX
S/N : XX	
LOT NO :	
 XXXXXXXXXXXXXXXXXXXXXXXXX	
RoHS Compliant	