

PRELIMINARY SPEC

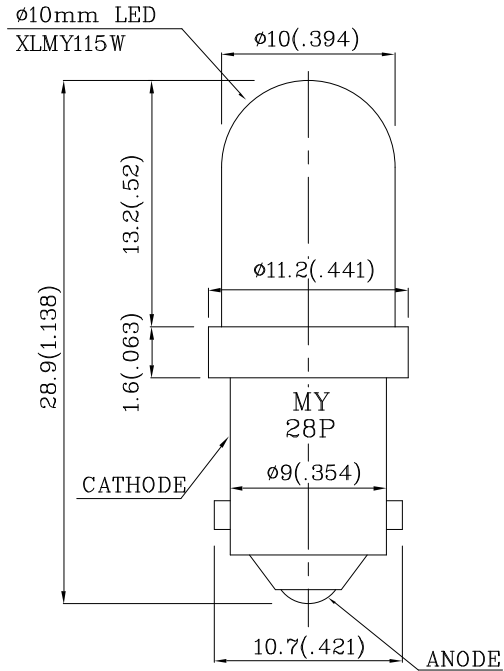
Features

- BUILT-IN CURRENT LIMITING RESISTOR FOR DIRECT APPLICATION OF DIFFERENT ACROSS CURRENT.
- LONG LIFE.
- LOW CURRENT, POWER SAVINGS.
- LOW MAINTENANCE.
- SOLID STATE, HIGH VIBRATION RESISTANT.
- 28V INTERNAL RESISTOR.
- RoHS COMPLIANT.



Notes:

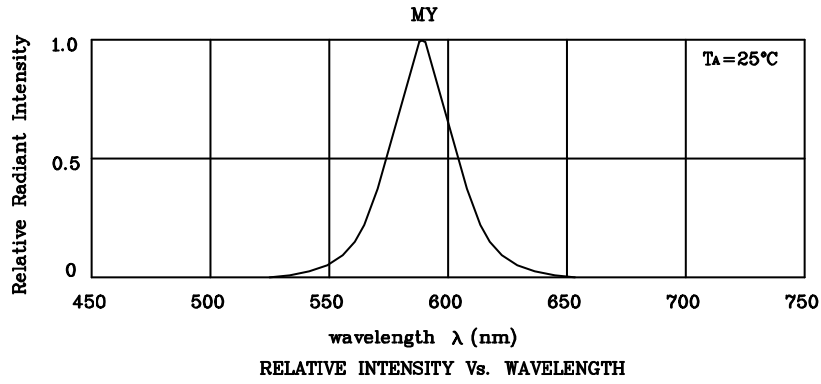
1. All dimensions are in millimeters (inches).
2. Tolerance is $\pm 0.25(0.01")$ unless otherwise noted.
3. Specifications are subject to change without notice.



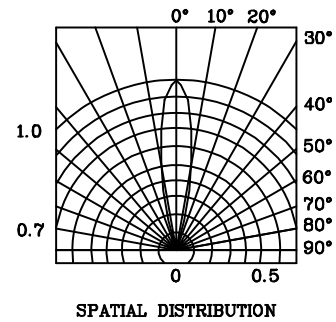
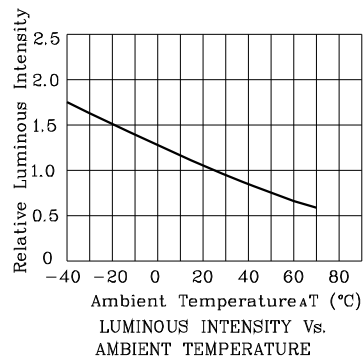
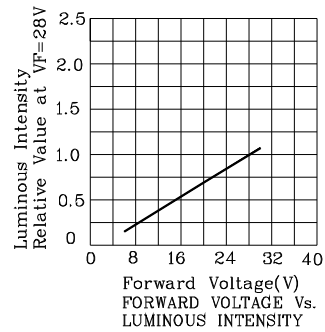
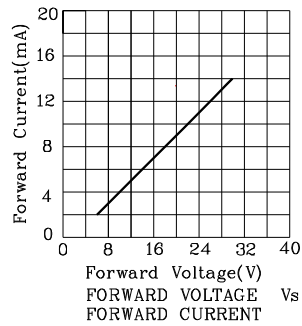
Absolute Maximum Ratings (TA=25°C)		MY (InGaAlP)	Unit
Reverse Voltage	VR	5	V
Forward Voltage	VF	30	V
Power Dissipation	PT	480	mW
Operating Temperature	TA	-40 ~ +70	°C
Storage Temperature	Tstg	-40 ~ +85	

Operating Characteristics (TA=25°C)		MY (InGaAlP)	Unit
Forward Current (Typ.) (VF=28V)	IF	13	mA
Forward Current (Max.) (VF=28V)	IF	16	mA
Reverse Current (Max.) (VR=5V)	IR	10	uA
Wavelength Of Peak Emission (Typ.) (VF=28V)	λ P	590	nm
Wavelength Of Dominant Emission (Typ.) (VF=28V)	λ D	588	nm
Spectral Line Full Width At Half-Maximum (Typ.) (VF=28V)	Δλ	28	nm

Part Number	Emitting Color	Emitting Material	Lens-color	Luminous Intensity (V=28V) mcd		Wavelength nm λ P	Viewing Angle 2 θ 1/2
				min.	typ.		
XYMY101W28V	Yellow	InGaAlP	Water Clear	650	1395	590	20°

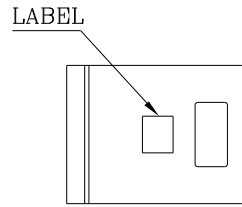
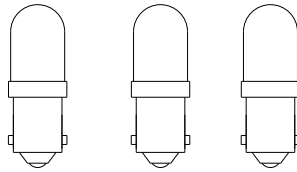


❖ MY

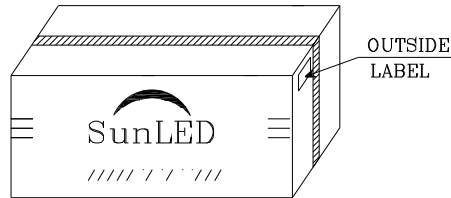


PACKING & LABEL SPECIFICATIONS

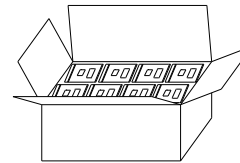
XYMY101W28V



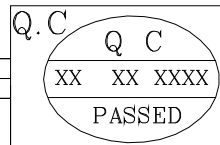
100PCS / BAG



4K / BOX



2K / BOX



P/NO : XYxx101x

QTY : 100 pcs

CODE: XXX

S/N : XX

LOT NO:



RoHS Compliant