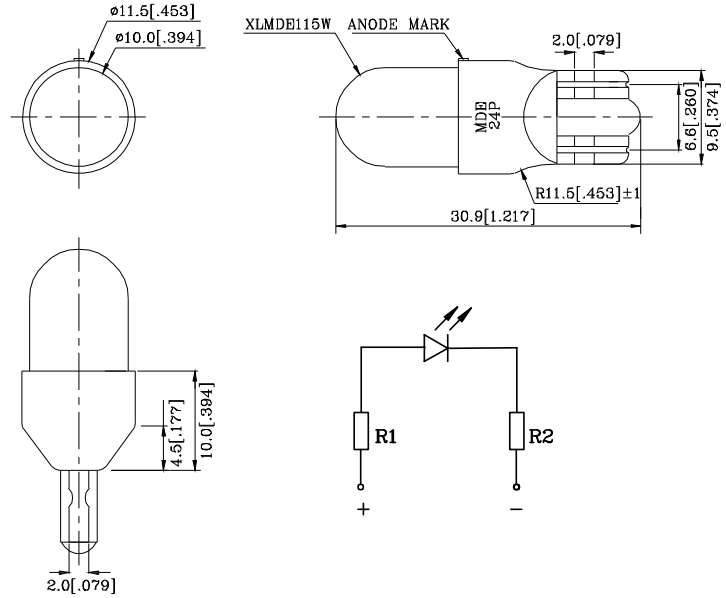


PRELIMINARY SPEC

**Features**

- BUILT-IN CURRENT LIMITING RESISTOR FOR DIRECT APPLICATION OF DIFFERENT ACROSS CURRENT.
- LONG LIFE.
- LOW CURRENT, POWER SAVINGS.
- LOW MAINTENANCE.
- SOLID STATE, HIGH VIBRATION RESISTANT.
- 24V INTERNAL RESISTOR.
- RoHS COMPLIANT.



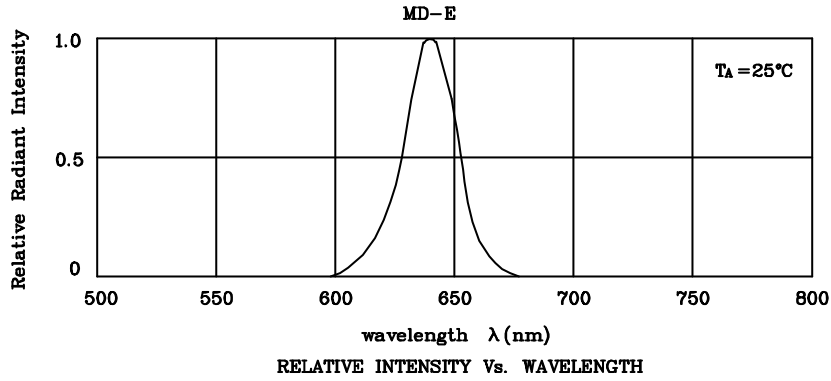
Notes:

1. All dimensions are in millimeters (inches).
2. Tolerance is  $\pm 0.25(0.01)$ " unless otherwise noted.
3. Specifications are subject to change without notice.

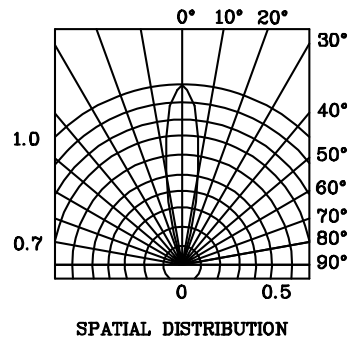
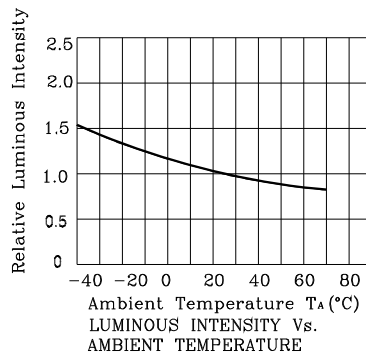
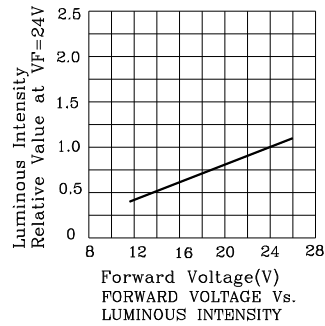
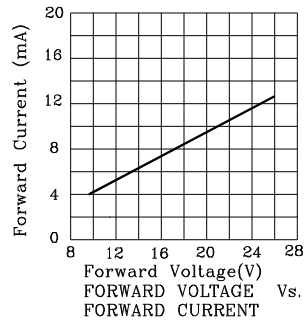
Absolute Maximum Ratings ( $T_A=25^\circ\text{C}$ )		MD-E (InGaAlP)	Unit
Reverse Voltage	$V_R$	5	V
Forward Voltage	$V_F$	26	V
Power Dissipation	$P_T$	364	mW
Operating Temperature	$T_A$	-40 ~ +70	°C
Storage Temperature	$T_{stg}$	-40 ~ +85	

Operating Characteristics ( $T_A=25^\circ\text{C}$ )		MD-E (InGaAlP)	Unit
Forward Current (Typ.) ( $V_F=24\text{V}$ )	$I_F$	11.6	mA
Forward Current (Max.) ( $V_F=24\text{V}$ )	$I_F$	14	mA
Reverse Current (Max.) ( $V_R=5\text{V}$ )	$I_R$	10	$\mu\text{A}$
Wavelength of Peak Emission (Typ.) ( $V_F=24\text{V}$ )	$\lambda_P$	640	nm
Wavelength of Dominant Emission (Typ.) ( $V_F=24\text{V}$ )	$\lambda_D$	630	nm
Spectral Line Full Width At Half-Maximum (Typ.) ( $V_F=24\text{V}$ )	$\Delta\lambda$	25	nm

Part Number	Emitting Color	Emitting Material	Lens-color	Luminous Intensity ( $V=24\text{V}$ ) mcd		Wavelength nm $\lambda_P$	Viewing Angle $2\theta_{1/2}$
				min.	typ.		
XYWMDE101W24V	Red	InGaAlP	Water Clear	1200	2490	640	20°

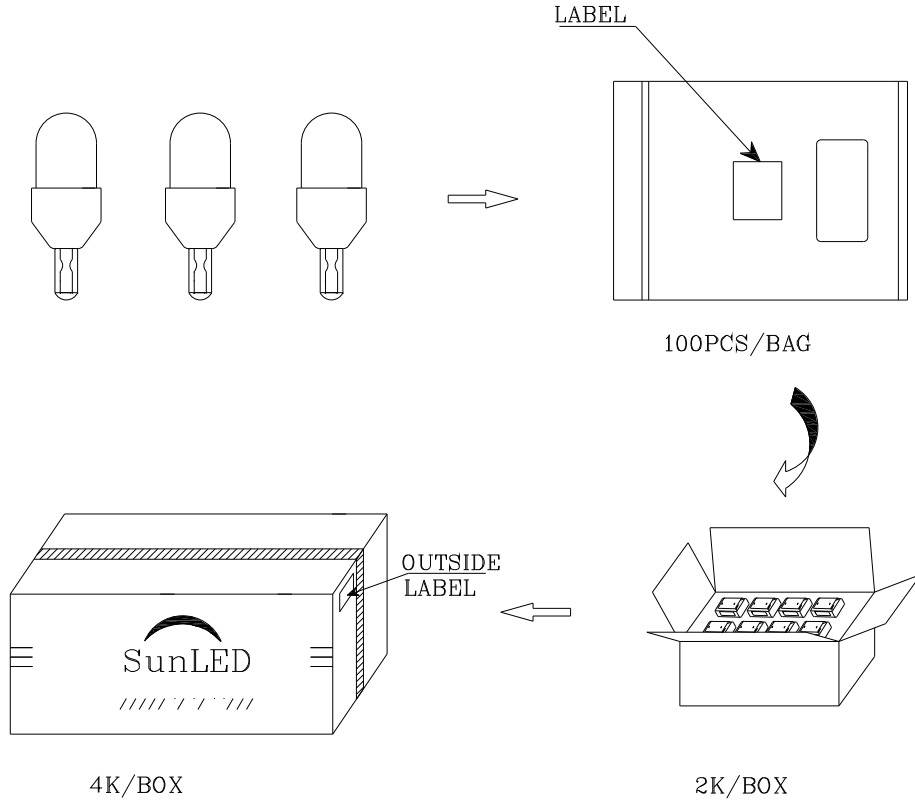



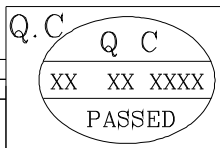

❖ MD-E



**PACKING & LABEL SPECIFICATIONS**

**XYWMDE101W24V**

	
P/N0 : XYWxxx101x	
QTY : 100 pcs	CODE: XXX
S/N : XX	
LOT NO:	
 XXXXXXXXXXXXXXXXXXXXXXXX	
RoHS Compliant	