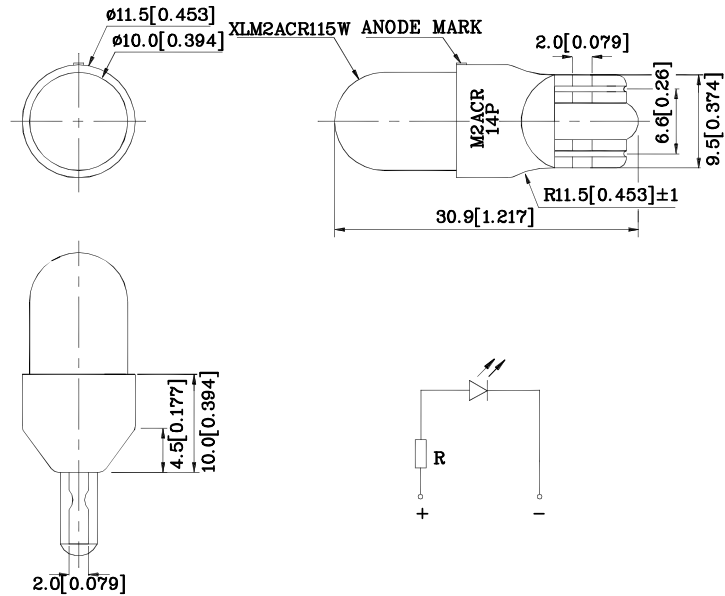


Features

- Long life and robust package
- Low power consumption
- Vibration resistant
- 14V internal resistor
- RoHS Compliant



Package Schematics



Notes:

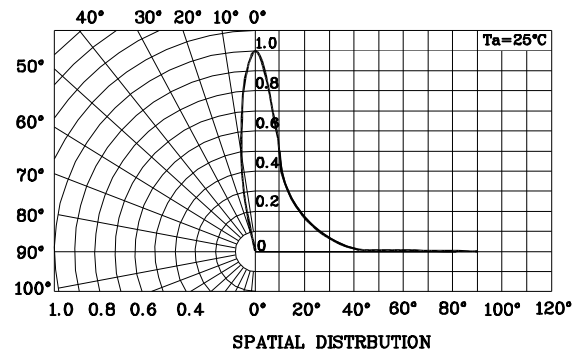
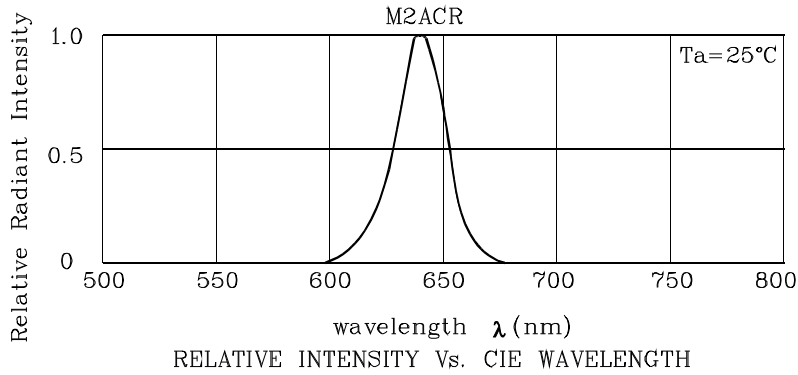
1. All dimensions are in millimeters (inches).
2. Tolerance is $\pm 0.25(0.01)$ " unless otherwise noted.
3. Specifications are subject to change without notice.

| Absolute Maximum Ratings ($T_A=25^\circ\text{C}$) | | M2ACR (AlGaInP) | Unit |
|--|---------------------|--------------------|------|
| Reverse Voltage | V_R | 5 | V |
| Forward Voltage | V_F | 16 | V |
| Power Dissipation | P_D | 352 | mW |
| Operating Temperature | T_A | -40 ~ +70 | °C |
| Storage Temperature | T_{stg} | -40 ~ +85 | |
| Lead Solder Temperature [2mm Below Package Base] | 260°C For 3 Seconds | | |
| Lead Solder Temperature [5mm Below Package Base] | 260°C For 5 Seconds | | |

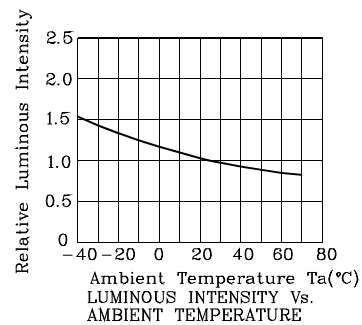
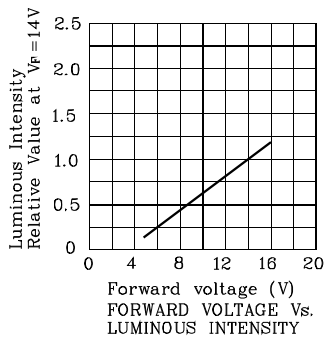
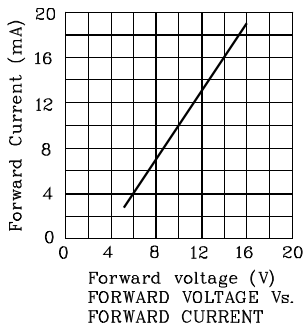
| Operating Characteristics ($T_A=25^\circ\text{C}$) | | M2ACR (AlGaInP) | Unit |
|---|-----------------|--------------------|---------------|
| Forward Current (Typ.) ($V_F=14\text{V}$) | I_F | 16 | mA |
| Forward Current (Max.) ($V_F=14\text{V}$) | I_F | 22 | mA |
| Reverse Current (Max.) ($V_R=5\text{V}$) | I_R | 10 | μA |
| Wavelength of Peak Emission CIE127-2007*(Typ.) ($V_F=14\text{V}$) | λ_P | 640* | nm |
| Wavelength of Dominant Emission CIE127-2007*(Typ.) ($V_F=14\text{V}$) | λ_D | 625* | nm |
| Spectral Line Full Width At Half-Maximum (Typ.) ($V_F=14\text{V}$) | $\Delta\lambda$ | 25 | nm |

| Part Number | Emitting Color | Emitting Material | Lens-color | Luminous Intensity CIE127-2007* ($V_F=14\text{V}$)mcd | | Wavelength CIE127-2007* λ_P nm | Viewing Angle 2 θ 1/2 |
|-----------------|----------------|-------------------|-------------|---|----------------|--|---------------------------------|
| | | | | min. | typ. | | |
| XYWM2ACR101W14V | Red | AlGaInP | Water Clear | 6500 3600* | 11990 5400* | 640* | 20° |

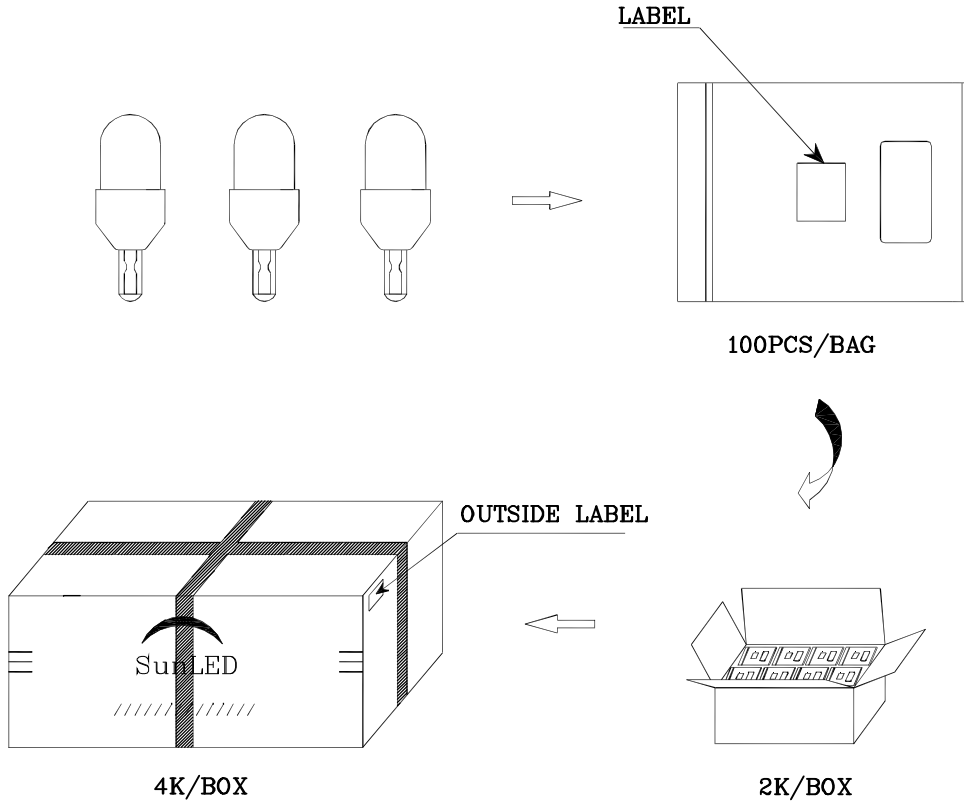

*Luminous intensity value and wavelength are in accordance with CIE127-2007 standards.



❖ **M2ACR**



PACKING & LABEL SPECIFICATIONS





Q.C

Q C

XX XX XXXX

PASSED

| | |
|--|-----------|
| P/N0 : XYWxxx101x | |
| QTY : 100 pcs | CODE: XXX |
| S/N : XX | |
| LOT NO: | |
|  xxxxxxxxxxxxxxxxxxxxxxxx | |
| RoHS Compliant | |