

DV 6248

# DC diagonal compact fan

sickled blades (S series)



## ebm-papst St. Georgen GmbH & Co. KG

Hermann-Papst-Straße 1

D-78112 St. Georgen

Phone +49 7724 81-0

Fax +49 7724 81-1309

info2@de.ebmpapst.com

www.ebmpapst.com

## Nominal data

Type	DV 6248	
Nominal voltage	VDC	48
Nominal voltage range	VDC	28 .. 60
Speed	min <sup>-1</sup>	4300
Power input	W	40.0
Min. ambient temperature	°C	-20
Max. ambient temperature	°C	75
Air flow	m <sup>3</sup> /h	540
Sound power level	B	7.1
Sound pressure level	dB(A)	63

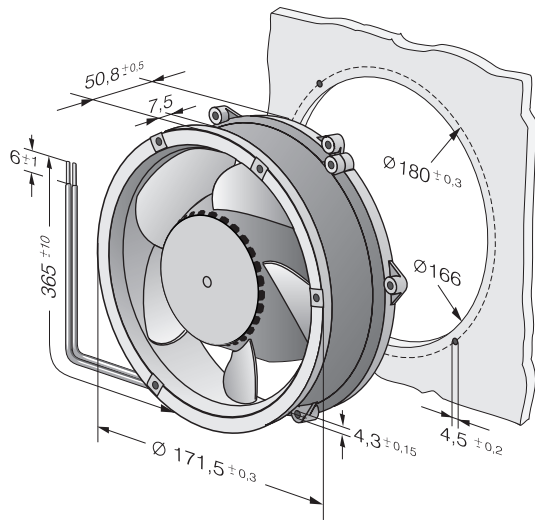
ml = max. load · me = max. efficiency · rfa = running at free air · cs = customer specs · cu = customer unit  
Subject to alterations



## Technical features

<b>Dimensions</b>	172 Ø x 51 mm
<b>General description</b>	<p>Particular design features:            Diagonal fan with low noise when there is a high pressure saddle curve.            Very rigid compression curve for high air flow at high counterpressure.</p> <p>General features:            Housing made of aluminium, impeller made of fibreglass-reinforced PA; housing with grounding lug for M4 x 8 screw (Torx). 48 V version incl. screws.            Electronic commutation completely integrated.            Protected against reverse polarity and locking.            Connection via single strands AWG 22, TR 64, bared and tin-plated.            Air exhaust over bars. Direction of rotation counter-clockwise seen on rotor.            Mass: 820 g.</p>
<b>Connection line</b>	Single strands AWG 22, TR 64, bared and tin-plated.
<b>Locked-rotor protection</b>	Electronic blocking protection, with electronic motor current limit in the startup phase and when the rotor is blocked.
<b>Direction of rotation</b>	Left, looking at rotor
<b>Direction of air flow</b>	Air exhaust over bars
<b>Bearing</b>	Ball bearings
<b>Lifetime L10 at 40 °C</b>	90000 h
<b>Lifetime L10 at maximum temperature</b>	40000 h
<b>Mass</b>	0.820 kg
<b>Housing material</b>	Aluminum. Housing with grounding lug for screw M4 x 8 (TORX). 48 V version incl. screws.
<b>Material of impeller</b>	Fiberglass-reinforced PA plastic
<b>Motor protection</b>	Protected against reverse polarity and locking.
<b>Approval</b>	VDE, CSA, UL, CE

## Product drawing



**Charts: Air flow**

