

RG 125-19/14 NM

DC centrifugal compact fan

single inlet



ebm-papst St. Georgen GmbH & Co. KG

Hermann-Papst-Straße 1

D-78112 St. Georgen

Phone +49 7724 81-0

Fax +49 7724 81-1309

info2@de.ebmpapst.com

www.ebmpapst.com

Nominal data

Type	RG 125-19/14 NM	
Nominal voltage	VDC	24
Nominal voltage range	VDC	12 .. 28
Speed	min ⁻¹	1750
Power input	W	2.0
Min. ambient temperature	°C	-30
Max. ambient temperature	°C	75
Air flow	m ³ /h	60
Sound power level	B	4.8

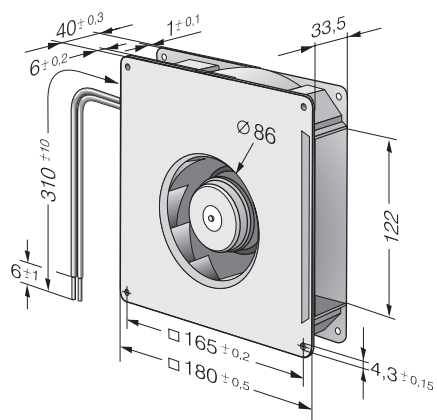
ml = max. load · me = max. efficiency · rfa = running at free air · cs = customer specs · cu = customer unit
Subject to alterations



Technical features

Dimensions	180 x 180 x 40 mm
General description	<p>Particular design features:</p> <p>Optional Vario-Pro: Highly flexible software configuration for the fan ensures an easily customisable solution to meet the individual requirements of your application.</p> <p>Backward curved impeller.</p> <p>General features:</p> <p>Scroll housing and impeller made of fibreglass-reinforced plastic; housing base made of sheet steel.</p> <p>Electronic commutation completely integrated.</p> <p>Protected against reverse polarity and locking.</p> <p>Direction of air flow: axial air intake, centrifugal air exhaust out of the outlet.</p> <p>Connection via single strands AWG 22, TR 64, bared and tin-plated.</p> <p>48 V model: flat plug 6.3 x 0.8 mm for protective earth.</p> <p>Mass: 730 g.</p>
Connection line	Single strands AWG 22, TR 64, bared and tin-plated.
Locked-rotor protection	Blocking and overload protection
Direction of air flow	Axial air intake, centrifugal air exhaust out of the outlet.
Bearing	Ball bearings
Lifetime L10 at 40 °C	70000 h
Lifetime L10 at maximum temperature	30000 h
Mass	0.730 kg
Housing material	Scroll housing of fiberglass-reinforced plastic, housing base of sheet steel.
Material of impeller	Fiberglass-reinforced plastic
Motor protection	Protected against reverse polarity and locking.
Approval	VDE, CSA, UL, CE

Product drawing



Charts: Air flow

