

4312 GL

DC axial compact fan



ebm-papst St. Georgen GmbH & Co. KG

Hermann-Papst-Straße 1

D-78112 St. Georgen

Phone +49 7724 81-0

Fax +49 7724 81-1309

info2@de.ebmpapst.com

www.ebmpapst.com

Nominal data

| Type | 4312 GL | |
|--------------------------|-------------------|---------|
| Nominal voltage | VDC | 12 |
| Nominal voltage range | VDC | 6 .. 15 |
| Speed | min ⁻¹ | 1550 |
| Power input | W | 1.2 |
| Min. ambient temperature | °C | -20 |
| Max. ambient temperature | °C | 75 |
| Air flow | m ³ /h | 95 |
| Sound power level | B | 4.3 |
| Sound pressure level | dB(A) | 30 |

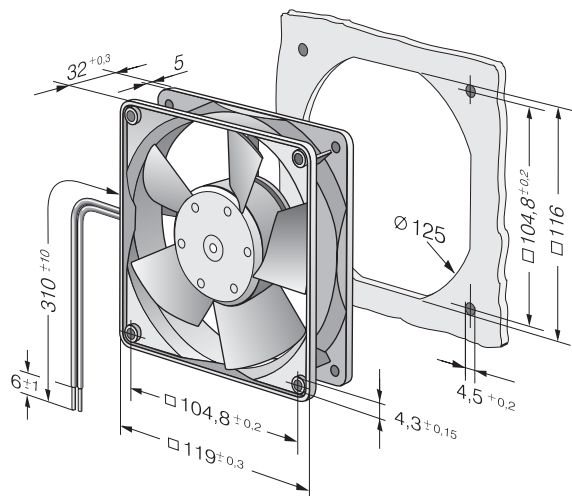
ml = max. load · me = max. efficiency · rfa = running at free air · cs = customer specs · cu = customer unit
Subject to alterations



Technical features

| | |
|--|---|
| Dimensions | 119 x 119 x 32 mm |
| General description | <p>Particular design features: Ball bearings and sleeve bearings available. Optional Vario-Pro: Highly flexible software configuration for the fan ensures an easily customisable solution to meet the individual requirements of your application.</p> <p>General features: Material: fibreglass-reinforced plastic. Impeller PA, housing PBT. Electronic commutation completely integrated. Protected against reverse polarity and locking. Connection via single strands AWG 22, TR 64, bared and tin-plated. Air exhaust over bars. Rotational direction clockwise looking at rotor. Mass: 220 g.</p> |
| Connection line | Single strands AWG 22, TR 64, bared and tin-plated. |
| Locked-rotor protection | Blocking and overload protection |
| Direction of rotation | Right, looking at rotor |
| Direction of air flow | Air exhaust over bars |
| Bearing | Sintec sleeve bearing |
| Lifetime L10 at 40 °C | 80000 h |
| Lifetime L10 at maximum temperature | 35000 h |
| Mass | 0.220 kg |
| Housing material | Fiberglass-reinforced PBT plastic |
| Material of impeller | Fiberglass-reinforced PA plastic |
| Motor protection | Protected against reverse polarity and locking. |
| Approval | VDE, CSA, UL, CE |

Product drawing



Charts: Air flow

